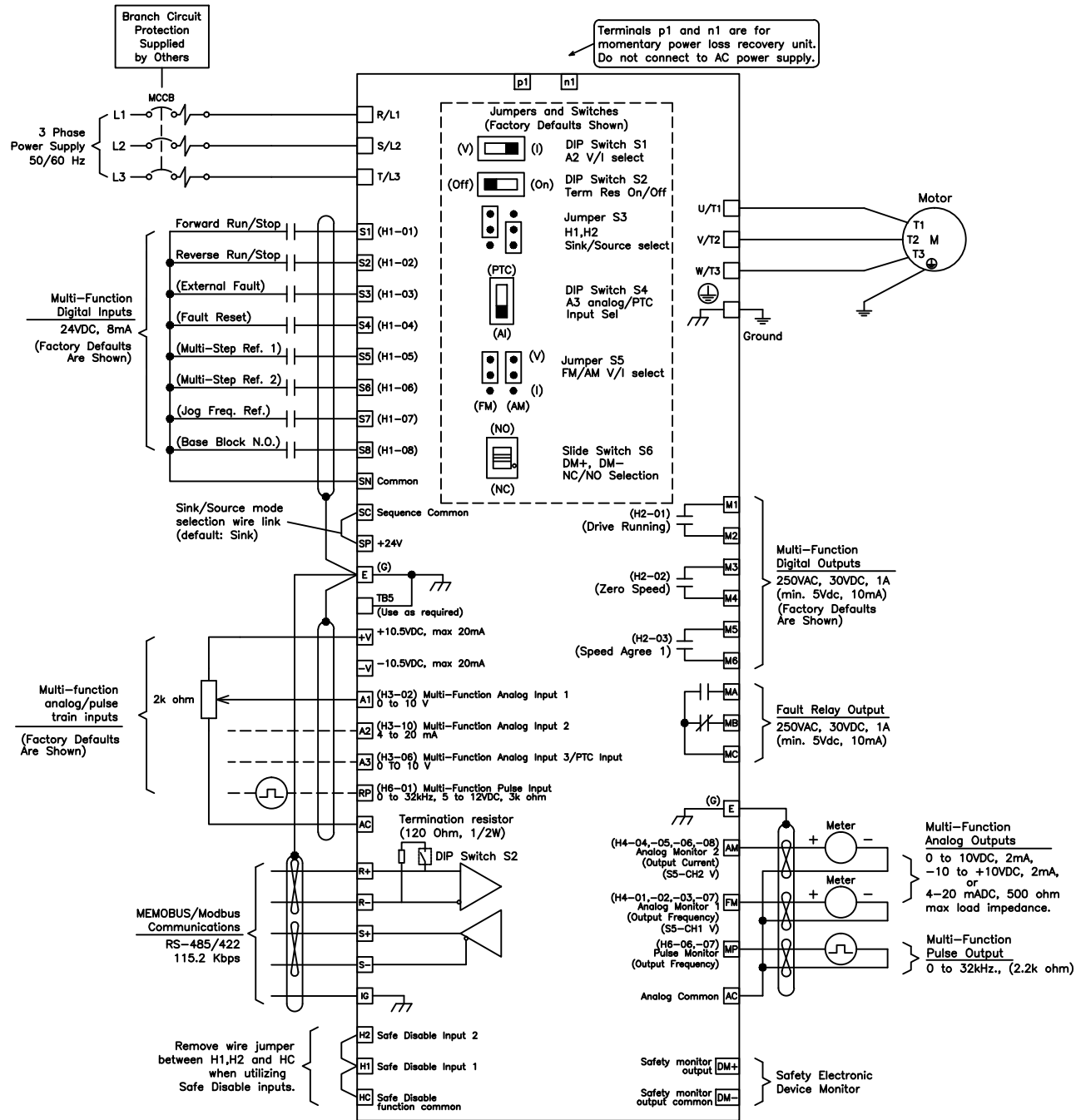


# U1000



**YASKAWA**

UNITS	-
SCALE	-

DRWN.	J. MATTAS	5-17-17
CHKD.	J. PIOTROWSKI	6-7-17
TECH.	-	-
APRV.	T. UCHINO	6-16-17

TITLE  
U1000 DRIVE  
STANDARD CONNECTION DIAGRAM

SIZE	A	PAGE	1 OF 1
DWG.NO.		DS.U1000.01	

REV  
0