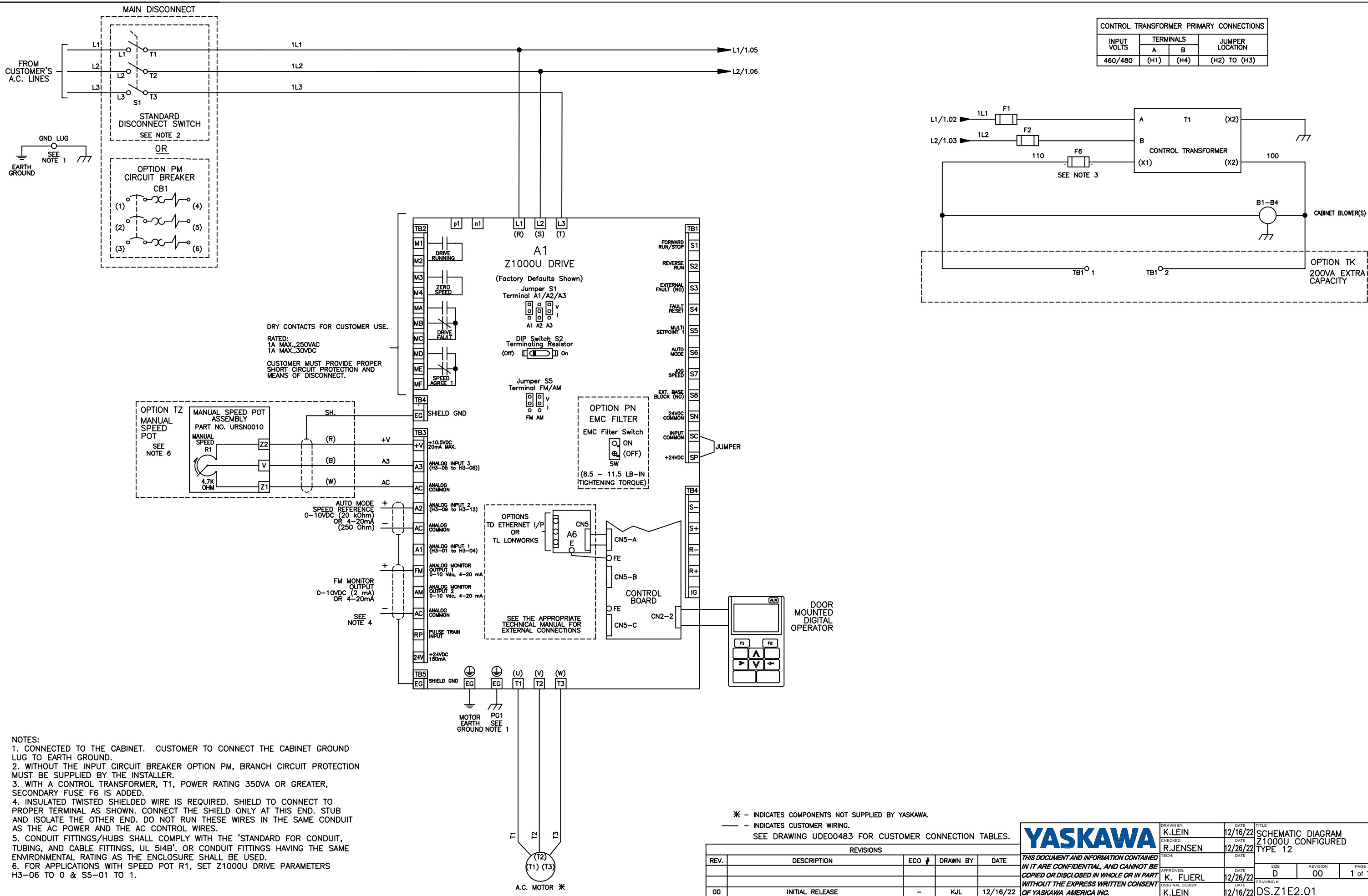


101
102
103
104
105
106
107
108
109
110
111
112
113
114
115
116
117
118
119
120
121
122
123
124
125
126
127
128
129
130
131
132
133
134
135
136
137
138
139
140
141

INPUT VOLTS	TERMINALS		JUMPER LOCATION
	A	B	
460/480	(H1)	(H4)	(H2) TO (H3)



- NOTES:
- CONNECTED TO THE CABINET. CUSTOMER TO CONNECT THE CABINET GROUND LUG TO EARTH GROUND.
 - WITHOUT THE INPUT CIRCUIT BREAKER OPTION PM, BRANCH CIRCUIT PROTECTION MUST BE SUPPLIED BY THE INSTALLER.
 - WITH A CONTROL TRANSFORMER, T1, POWER RATING 350VA OR GREATER, SECONDARY FUSE F6 IS ADDED.
 - INSULATED TWISTED SHIELDED WIRE IS REQUIRED. SHIELD TO CONNECT TO PROPER TERMINAL AS SHOWN. CONNECT THE SHIELD ONLY AT THIS END. STUB AND ISOLATE THE OTHER END. DO NOT RUN THESE WIRES IN THE SAME CONDUIT AS THE AC POWER AND THE AC CONTROL WIRES.
 - CONDUIT FITTINGS/HUBS SHALL COMPLY WITH THE 'STANDARD FOR CONDUIT, TUBING, AND CABLE FITTINGS, UL 514B'. OR CONDUIT FITTINGS HAVING THE SAME ENVIRONMENTAL RATING AS THE ENCLOSURE SHALL BE USED.
 - FOR APPLICATIONS WITH SPEED POT R1, SET Z1000U DRIVE PARAMETERS H3-06 TO 0 & S5-01 TO 1.

* - INDICATES COMPONENTS NOT SUPPLIED BY YASKAWA.
 --- - INDICATES CUSTOMER WIRING.
 SEE DRAWING UDE00483 FOR CUSTOMER CONNECTION TABLES.

REVISIONS				
REV.	DESCRIPTION	ECO #	DRAWN BY	DATE
00	INITIAL RELEASE	-	KJL	12/16/22

YASKAWA

DRAWN BY:	K.LEIN	DATE:	12/16/22	TITLE:	SCHMATIC DIAGRAM
CHECKED:	R.JENSEN	DATE:	12/26/22		Z1000U CONFIGURED
TECH:		DATE:			TYPE 12
APPROVED:	K. FLIERL	DATE:	12/26/22	SIZE:	D
ORIGINAL DESIGNER:	K.LEIN	DATE:	12/16/22	REVISION:	00
					PAGE 1 of 1

THIS DOCUMENT AND INFORMATION CONTAINED IN IT ARE CONFIDENTIAL, AND CANNOT BE COPIED OR DISCLOSED IN WHOLE OR IN PART WITHOUT THE EXPRESS WRITTEN CONSENT OF YASKAWA AMERICA INC.

DRAWING # DS.Z1E2.01