



Product Service

EC-Statement of Compliance

No. E6 08 06 21347 061

Holder of Certificate: Yaskawa Electric Corporation
Yahata Plant

2-3 Kitakukioka Maeda Yahatahigashi-Ku
Kitakyusyu-City
Fukuoka-ken
805-0058 JAPAN

Name of Object: AC Servo Systems
AC Servo Motor

This EC-Statement of Compliance is issued according to the Directive 2004/108/EC relating to electromagnetic compatibility. It confirms that the listed apparatus complies with such aspects of the essential requirements of the EMC directive as specified by the manufacturer or his authorized representative in the European Community and applies only to the sample and its technical documentation submitted to TÜV SÜD Product Service GmbH for testing and certification. See also notes overleaf.

Test report no.: TYOEMC22566A



Date, 2008-06-09

TÜV SÜD Product Service GmbH is Notified Body to the Directive 2004/108/EC of the European Parliament and of the council with the identification number 0123.

Page 1 of 10



Product Service

EC-Statement of Compliance
No. E6 08 06 21347 061

Model(s):

SGMGV series
 SGMGV-03AxAxxx, SGMGV-05AxAxxx, SGMGV-09AxAxxx,
 SGMGV-13AxAxxx, SGMGV-20AxAxxx, SGMGV-30AxAxxx,
 SGMGV-44AxAxxx, SGMGV-55AxAxxx, SGMGV-75AxAxxx,
 SGMGV-1AAxAxxx, SGMGV-1EAxAxxx, SGMGV-03DxAxxx,
 SGMGV-05DxAxxx, SGMGV-09DxAxxx, SGMGV-13DxAxxx,
 SGMGV-20DxAxxx, SGMGV-30DxAxxx, SGMGV-44DxAxxx,
 SGMGV-55DxAxxx, SGMGV-75DxAxxx, SGMGV-1ADxAxxx,
 SGMGV-1EDxAxxx, SGMGV-03AxBxxx, SGMGV-06AxBxxx,
 SGMGV-09AxBxxx, SGMGV-12AxBxxx, SGMGV-20AxBxxx,
 SGMGV-30AxBxxx, SGMGV-40AxBxxx, SGMGV-55AxBxxx,
 SGMGV-03DxBxxx, SGMGV-06DxBxxx, SGMGV-09DxBxxx,
 SGMGV-12DxBxxx, SGMGV-20DxBxxx, SGMGV-30DxBxxx,
 SGMGV-40DxBxxx, SGMGV-55DxBxxx, SGMGV-05AxLxxx,
 SGMGV-20AxLxxx, SGMGV-05DxLxxx, SGMGV-20DxLxxx,
 SGMSV series
 SGMSV-10AxAxxx, SGMSV-15AxAxxx, SGMSV-20AxAxxx,
 SGMSV-25AxAxxx, SGMSV-30AxAxxx, SGMSV-40AxAxxx,
 SGMSV-50AxAxxx, SGMSV-70AxAxxx, SGMSV-10DxAxxx,
 SGMSV-15DxAxxx, SGMSV-20DxAxxx, SGMSV-25DxAxxx,
 SGMSV-30DxAxxx, SGMSV-40DxAxxx, SGMSV-50DxAxxx,
 SGMSV-70DxAxxx
 (See Attachment for Nomenclature)

Description of Object:

Rated Voltage: 200VAC, 400VAC
 Rated Power: 0,3kW to 7,5kW
 Protection Class: I

Tested according to:

EN 55011:2007, Group 1, Class A;
 EN 55011/A2:2007; EN 61000-6-2:2005;
 EN 61800-3:2004
 (EMI: Category C2, EMS: Second environment)

Attachment

Statement No. **E6 08 06 21347 061**



Product Service

Nomenclature
SGMGV series

1.3.1 Standard

SGMGV - 03 □ □ □ □ □ □
 a b c d e f g h

- a. Motor Series:SGMGV
- b. Motor Output(kW)

Symbol	Series	SGMGV	
	Rated Speed	(r/min.) 1500	(r/min.) 1000
03		0.3	0.3
05		0.45	-
06		-	0.6
09		0.85	0.9
12		-	1.2
13		1.3	-
20		1.8	2.0
30		2.9	3.0
40			4.0
44		4.4	-
55		5.5	5.5
75		7.5	-
1A		11	-
1E		15	-

- c. Supply Voltage

Symbol	Supply Voltage
A	200V
D	400V

- d. Detector:

Symbol	Contents
D	Incremental(20bit)
3	Absolute value(20bit)
8	Absolute value(20bit) with a large-capacity condenser

Attachment

Statement No. **E6 08 06 21347 061**



Product Service

e. Design Revision Order

- A: The Standard(Rated Speed 1500min⁻¹)
- B: The Associate Standard (Rated Speed 1000min⁻¹)
- L: Output is the same as a standard. The frame size is larger than a standard.

f. Shaft Type:

Symbol	Contents
2	Straight
4	Straight, without key
6	Straight, with key and Tap
3	1/10 Conical shaft ends,With Sunk Key
5	1/10 Conical shaft ends,With Woodruff Key
8	Straight, with tap

g. Optional parts:

Symbol	Contents
F	With oil seal (V type)
G	With oil seal (V type) and with holding brake(DC90V)
H	With oil seal (V type) and with holding brake(DC24V)
D	With oil seal (S type) and with holding brake(DC90V)
E	With oil seal (S type) and with holding brake(DC24V)
S	With oil seal (S type)
1	Without option
B	With holding brake(DC90V)
C	With holding brake(DC24V)

h. Connector direction

Symbol	Contents
(non)	Standard (straight)
B	With right angle support
C	With left angle support

Attachment

Statement No. **E6 08 06 21347 061**



Product Service

1.3.2 Exclusive Design for Customer (case 1)

SGMGV - 03 □□□ - □□□□
 a b c d e f g h i

a to d. same as standard

e. Design Revision Order

- A: The Standard(Rated Speed1500min⁻¹)
- B: The Associate Standard (Rated Speed 1000min⁻¹)
- V: Winding is the same as a standard. The characteristic is different.
- W: Winding and the characteristic differ from a standard.
- L: Output is the same as a standard. The frame size is larger than a standard.

f,g. Customer Cord

h,i. Design Revision Order for Customer

1.3.3 Exclusive Design for Customer (case 2)

SGMGV - 03 □□□□□□ - □□
 a b c d e f g h i j

a to h. same as standard

i. Customer Cord

j. Design Revision Order for Customer

1.3.4 Exclusive Design for Customer (case 3)

SGMGV - 03 □□□□□□ - OY
 a b c d e f g h i

a to h. same as standard

i(-OY). For OMRON YASKAWA Motion Control B.V.

With special name plate.

Attachment

Statement No. **E6 08 06 21347 061**



Product Service

2. INTERNATIONAL PROTECTION CLASS(IP class)

No.	Contents	Except for drive end side(*1)	Oil seal of drive end side	
			V type	S type
1	Connection: Receptacle	IP67	IP55	IP67
2	Connection: Receptacle (With right-angled support)	IP67	IP55	IP67
3	Connection: Cable (Cable isn't attached to the motor.)	IP67	IP55	IP67

*1.When drive end side needs IP55 or IP67, mount an oil seal.

Attachment

Statement No. **E6 08 06 21347 061**



Product Service

1.3 SGMSV series

1.3.1 Standard

SGMSV - 10 □ □ A □ □ □
 a b c d e f g h

a. Motor Series: SGMSV

b. Motor Output(kW)

Series	SGMSV
Rated Speed	(r/min.) 3000
10	1.0
15	1.5
20	2.0
25	2.5
30	3.0
40	4.0
50	5.0
70	7.0

c. Supply Voltage

Symbol	Supply Voltage
A	200V
D	400V

d. Encoder:

Symbol	Contents
D	Incremental (20bit)
3	Absolute value (20bit)

e. Design Revision Order

A: The Standard(Rated Speed 3000min⁻¹ , Peak Torque 300%)

V: Winding is the same as a standard. The characteristic is different.

W: Winding and the characteristic differ from a standard.

Attachment

Statement No. **E6 08 06 21347 061**



Product Service

f. Shaft Type:

Symbol	Contents
2	Straight
4	Straight, with key
6	Straight, with key and Tap
3	1/10 Conical shaft ends, With Sunk Key
5	1/10 Conical shaft ends, With Woodruff Key
8	Straight, with tap

g. Optional parts:

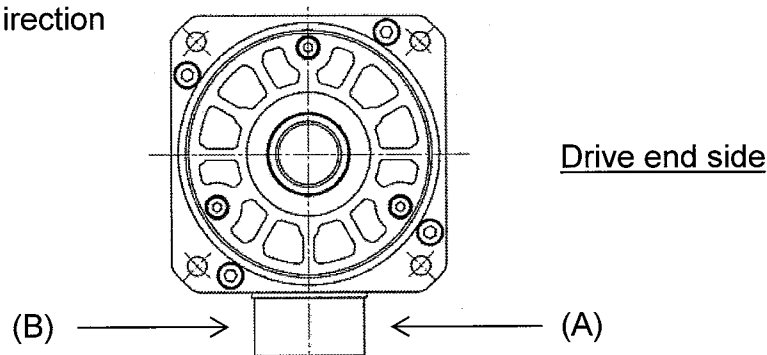
Symbol	Contents
F	With oil seal (V type) (for CE only)
G	With oil seal (V type) and with holding brake(DC90V) (for CE only)
H	With oil seal (V type) and with holding brake(DC24V) (for CE only)
D	With oil seal (S type) and with holding brake(DC90V)
E	With oil seal (S type) and with holding brake(DC24V)
S	With oil seal (S type)
1	Without option
B	With holding brake(DC90V)
C	With holding brake(DC24V)



h. Design of connection

Symbol	Contents	Draw out direction *1
(non)	Receptacle	
B	With right-angle support Receptacle Frame	(A)
		(B)
C	Support	(B)
F	Cable Type 1	(A)
G	(See 400-004-518)	(B)
H	Cable Type 2	(A)
J	(See 400-004-518)	(B)

*1 Draw out direction



1.3.2 Exclusive Design for Customer (case 1)

SGMSV - 10 □□ A - □□□□
a b c d e f g h i

a to d. same as standard

e. Design Revision Order

A: The Standard (Rated Speed 3000min⁻¹)

V: Winding is the same as a standard. The characteristic is different.

W: Winding and the characteristic differ from a standard.

f,g. Customer Cord

h,i. Design Revision Order for Customer

Attachment

Statement No. **E6 08 06 21347 061**



Product Service

1.3.3 Exclusive Design for Customer (case 2)

SGMSV - 10 □ □ □ □ □ □ - □ □
 a b c d e f g h i j

a to h. same as standard

i. Customer Cord

j. Design Revision Order for Customer

2. INTERNATIONAL PROTECTION CLASS(IP class)

No.	Contents	Except for drive end side(*1)	Oil seal of drive end side	
			V type	S type
1	Connection: Receptacle	IP67	IP55	IP67
2	Connection: Receptacle (With right-angled support)	IP67	IP55	IP67
3	Connection: Cable (Cable isn't attached to the motor.)	IP67	IP55	IP67

*1.When drive end side needs IP55 or IP67, mount an oil seal.