

V1000 Series

Built-In C3 Filter Supplementary Manual

Keep this manual in an easily accessible location whenever using this product.

Using this Manual

This manual (EZZ020605) serves as supplementary instructions to the main product manual (TOJPC71060609). It is meant only for customers using drives that have a built-in C3 filter.

Table of Contents

	PAGE
1. Introduction	2
2. Model Number	2
3. Dimensions	2
4. Ambient Temperature	2
5. Installation and Wiring	3
5.1. Main Circuit Wiring for Single-Phase 200 V Class Drives ..	3
5.2. Main Circuit Wiring for 400 V Class Drives	4
5.3. Control Circuit Wiring	5

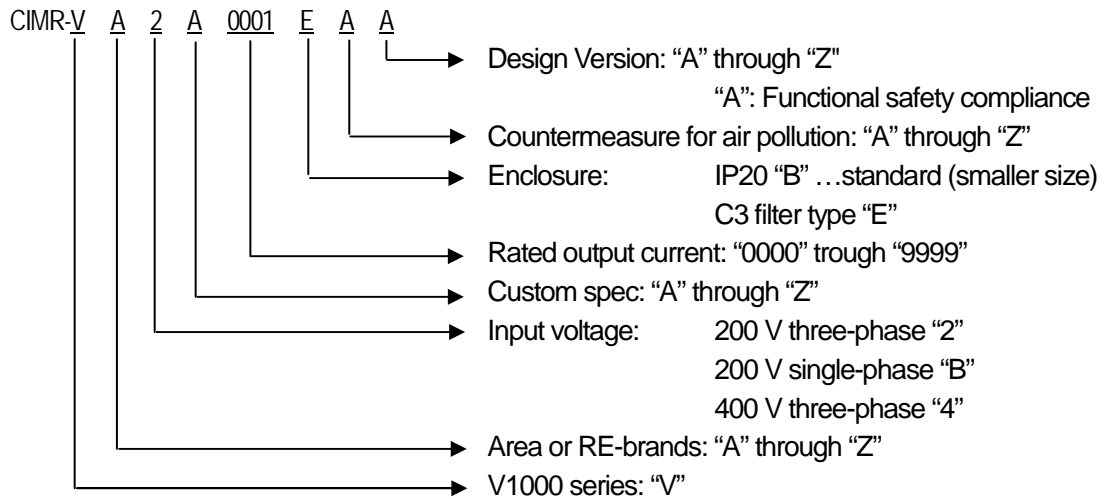


YASKAWA Electric Corporation

1. Introduction

V1000 with Built-In C3 Filter fully complies IEC61800-3 Category regulations using an internal noise filter.

2. Model Numbers



3. Dimensions

Input Voltage	C3 Filter Type		Standard Type	
	Model Name CIMR-	W x H x D (mm)	Model name CIMR-	W x H x D (mm)
200 V Single-Phase	VxBx0001Exx	68 x 178 x 76	VxBx0001Bxx	68 x 128 x 76
	VxBx0002Exx	68 x 178 x 76	VxBx0002Bxx	68 x 128 x 76
	VxBx0003Exx	68 x 178 x 118	VxBx0003Bxx	68 x 128 x 118
	VxBx0006Exx	108 x 178 x 137.5	VxBx0006Bxx	108 x 128 x 137.5
	VxBx0010Exx	108 x 178 x 154	VxBx0010Bxx	108 x 128 x 154
	VxBx0012Exx	140 x 183 x 163	VxBx0012Bxx	140 x 128 x 163
400 V Three-Phase	Vx4x0001Exx	108 x 178 x 81	Vx4x0001Bxx	108 x 128 x 81
	Vx4x0002Exx	108 x 178 x 99	Vx4x0002Bxx	108 x 128 x 99
	Vx4x0004Exx	108 x 178 x 137.5	Vx4x0004Bxx	108 x 128 x 137.5
	Vx4x0005Exx	108 x 178 x 154	Vx4x0005Bxx	108 x 128 x 154
	Vx4x0007Exx	108 x 178 x 154	Vx4x0007Bxx	108 x 128 x 154
	Vx4x0009Exx	108 x 178 x 154	Vx4x0009Bxx	108 x 128 x 154
	Vx4x0011Exx	140 x 183 x 143	Vx4x0011Bxx	140 x 128 x 143

NOTE: 200 V 3-phase models are not available.

4. Ambient Temperature

The surrounding temperature for a drive with a built-in C3 filter should be between -10 and +40°C.

5. Installation and Wiring

Before wiring any components, make sure that all devices have been shut off.

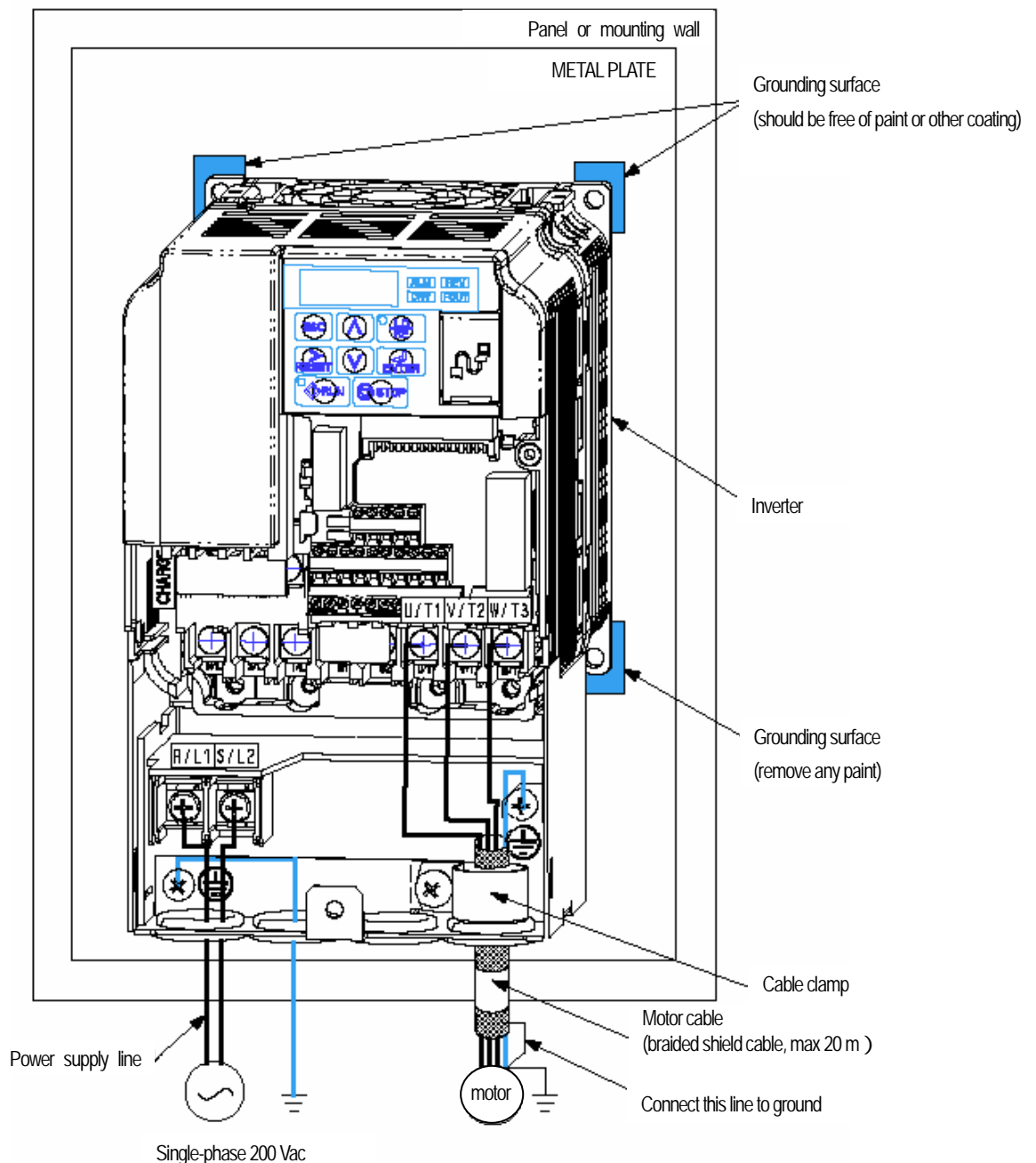
Even after the power has been shut off, voltage may still remain in the capacitors. Wait until the CHARGE light has gone out before wiring any components.

Make sure the drive and the base plate of the enclosure are both grounded properly.

Avoid excessively tightening the terminal block screws on the filter. See the V1000 instruction manual for tightening specifications.

Make sure the filter is grounded properly.

5.1. Main Circuit Wiring for Single-Phase 200 V Class Drives



5.3. Control Circuit Wiring

Wire the control circuit terminals according the diagram below.

