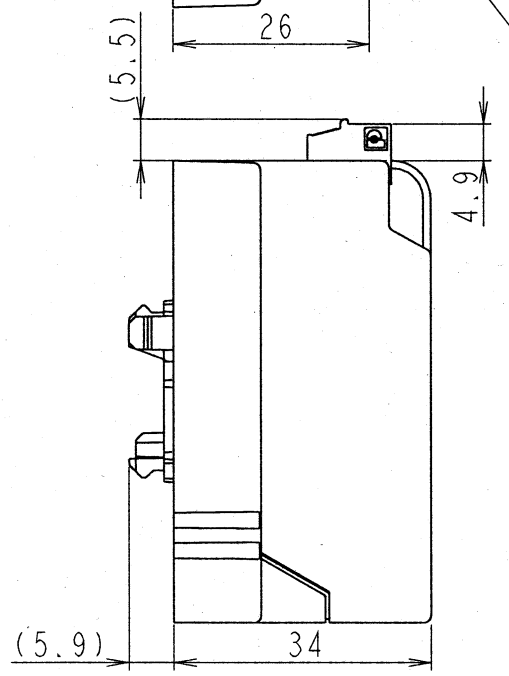
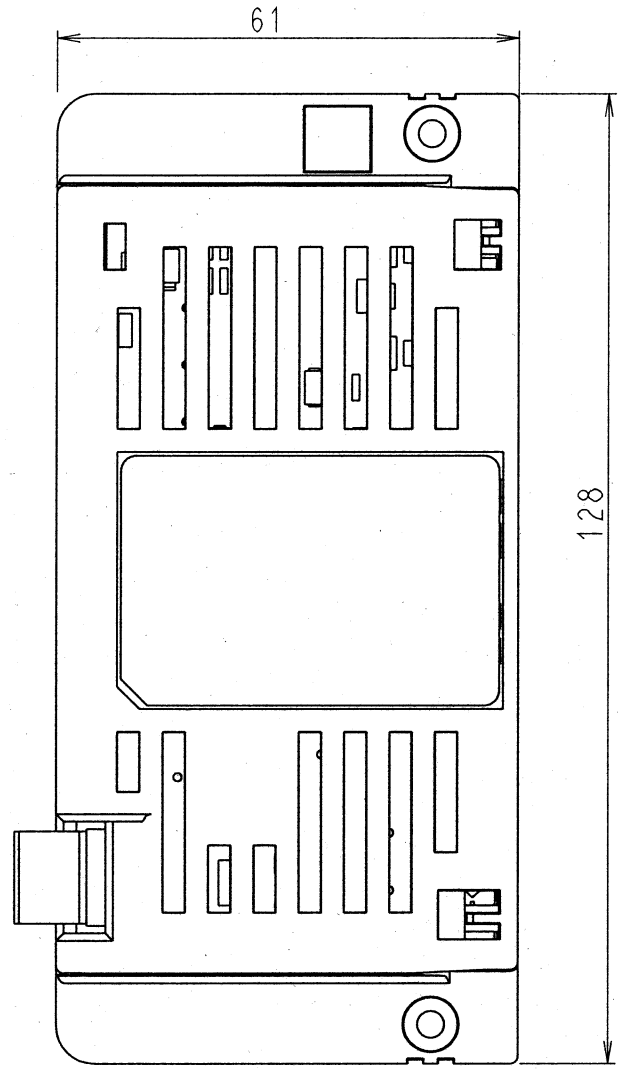
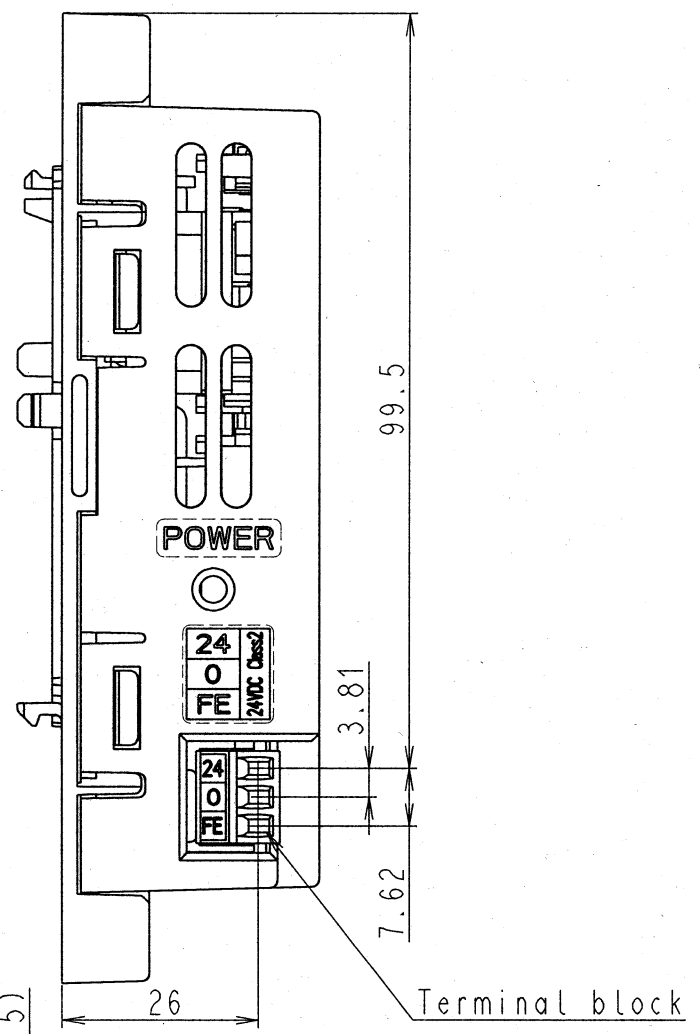


DWG. NO. EZZ901652-1/1

Model No.	Terminal Symbol			Mass (kg)
	INPUT +	INPUT -	Ground	
PS-V10S	24	0	FE	0.1


Third Angle Projection
Dimensions in mm



Scale 1:1



REVISIONS	DATE	BY
1	Dec. 24, 2008	M. Aruji


YASKAWA
 SCALE - : -

DRAW.	Jul. 04, 2007	S. Shimabukuro
CHECK	Jul. 04, 2007	M. Sakai
APPR.	Jul. 04, 2007	H. Koga

TITLE 24V Power Supply Unit
DIMENSION DIAGRAM

DWG. NO.	EZZ901652	REV.	1
			1