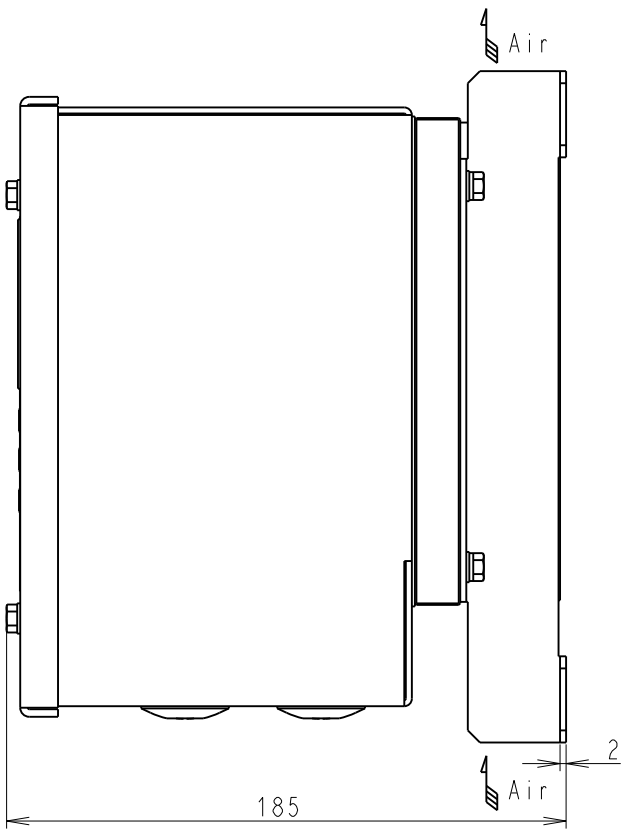
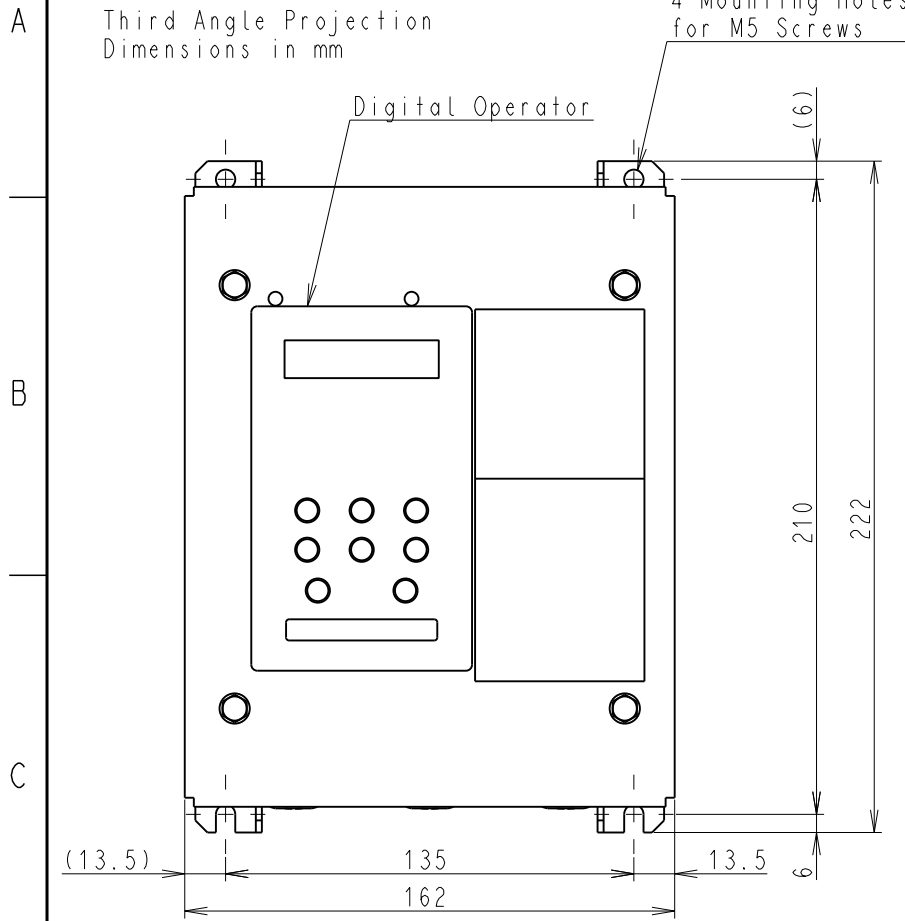
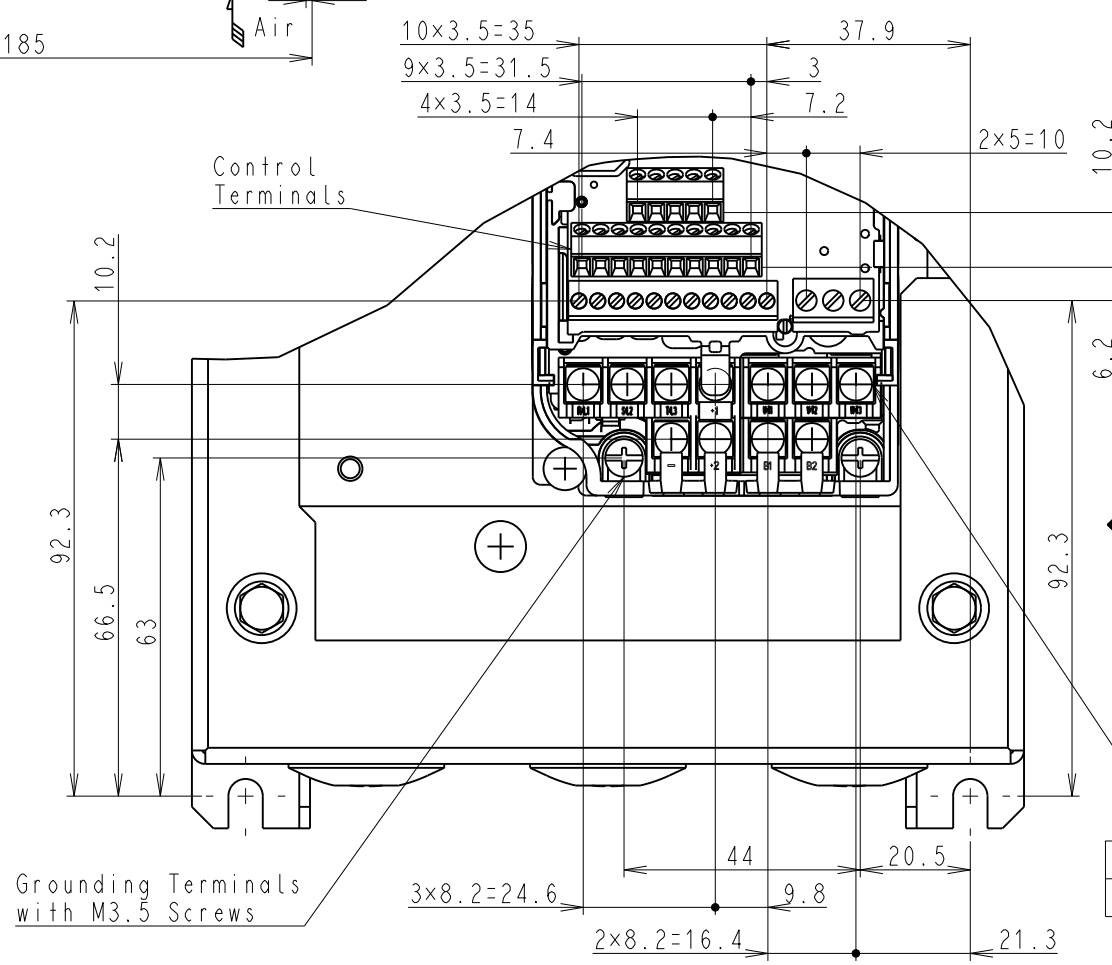
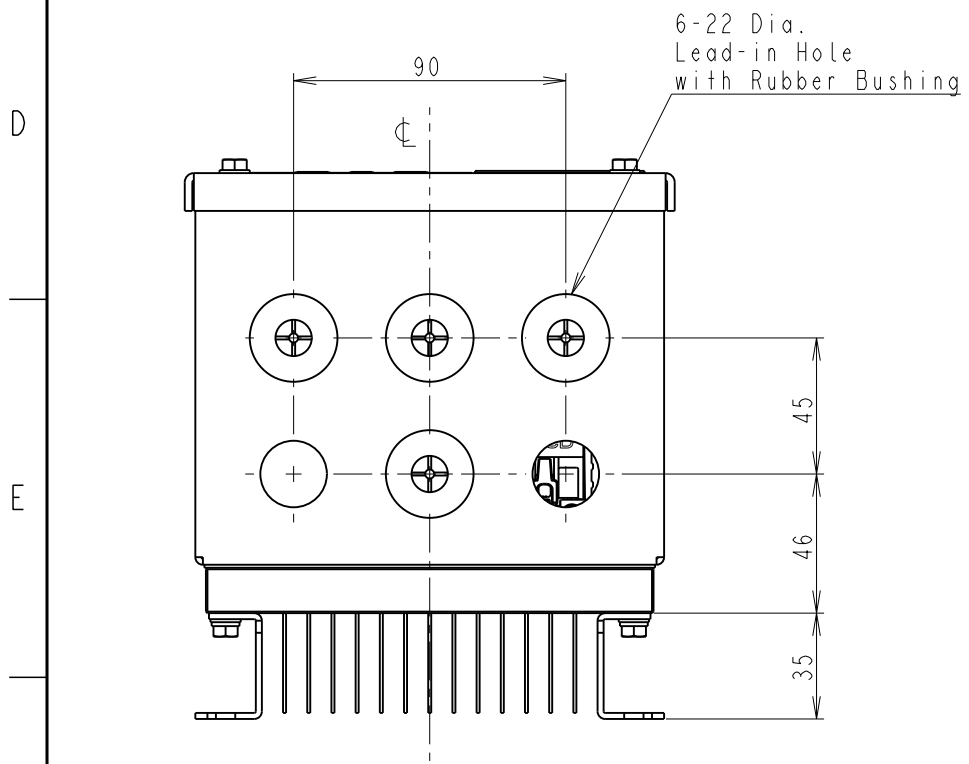
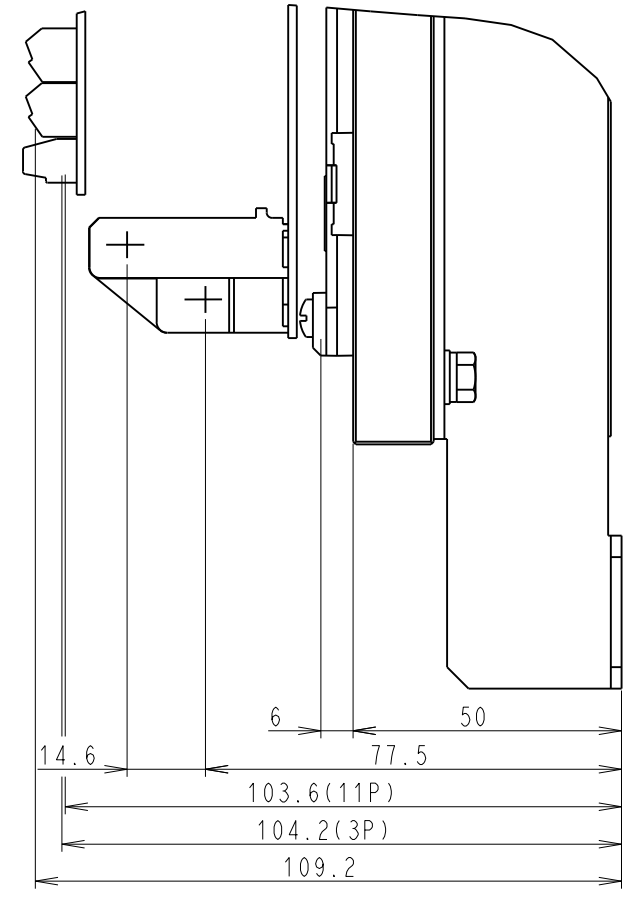


DWG. NO. EZZ901705-1/1

Model No.	Max Appli. Motor (kW)		Terminal Symbol			Cooling Fan	Mass (kg)
	Normal Duty	Heavy Duty	INPUT	OUTPUT(MOTOR)			
CIMR-V#BA0001G	0.2	0.1	R/L1 S/L2	U/T1 V/T2 W/T3	-		4.7
CIMR-V#BA0002G	0.4	0.2					4.7
CIMR-V#2A0001G	0.2	0.1	4.7				
CIMR-V#2A0002G	0.4	0.2	4.7				
CIMR-V#2A0004G	0.75	0.4	4.8				
CIMR-V#2A0006G	1.1	0.75	4.8				



#: A, U



View A

Main Terminal Location

R/L1	S/L2	T/L3	+1	U/T1	V/T2	W/T3
			+1	U/T1	V/T2	W/T3
			+2	B1	B2	

Detail (without Front cover) SCALE 1:√2

REVISIONS	SCALE 1 : 2.5		DRAW. Jul.17,2008 A.Yoshimoto	TITLE V1000 NEMA4X/IP66 TYPE DIMENSION DIAGRAM	DWG. NO. EZZ901705	1 1	REV.
			CHECK Jul.17,2008 K.Fukuda				
			APPR. Jul.17,2008 H.Okayama				