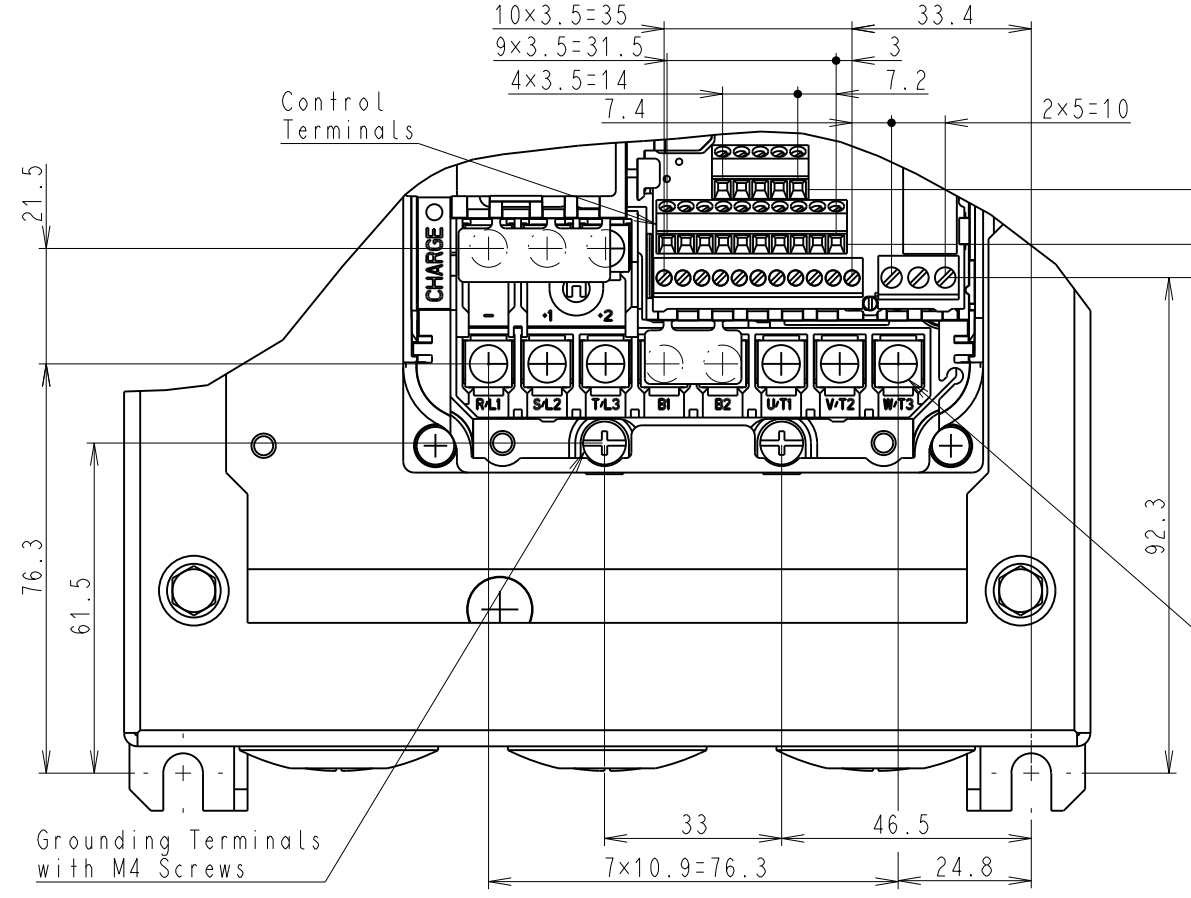
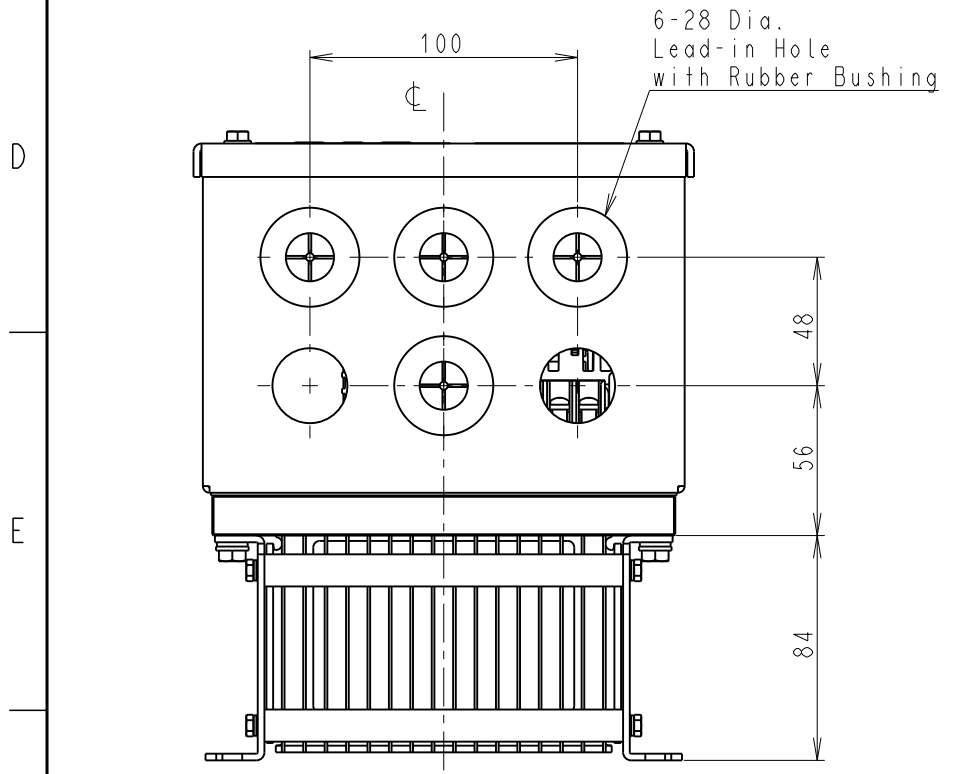
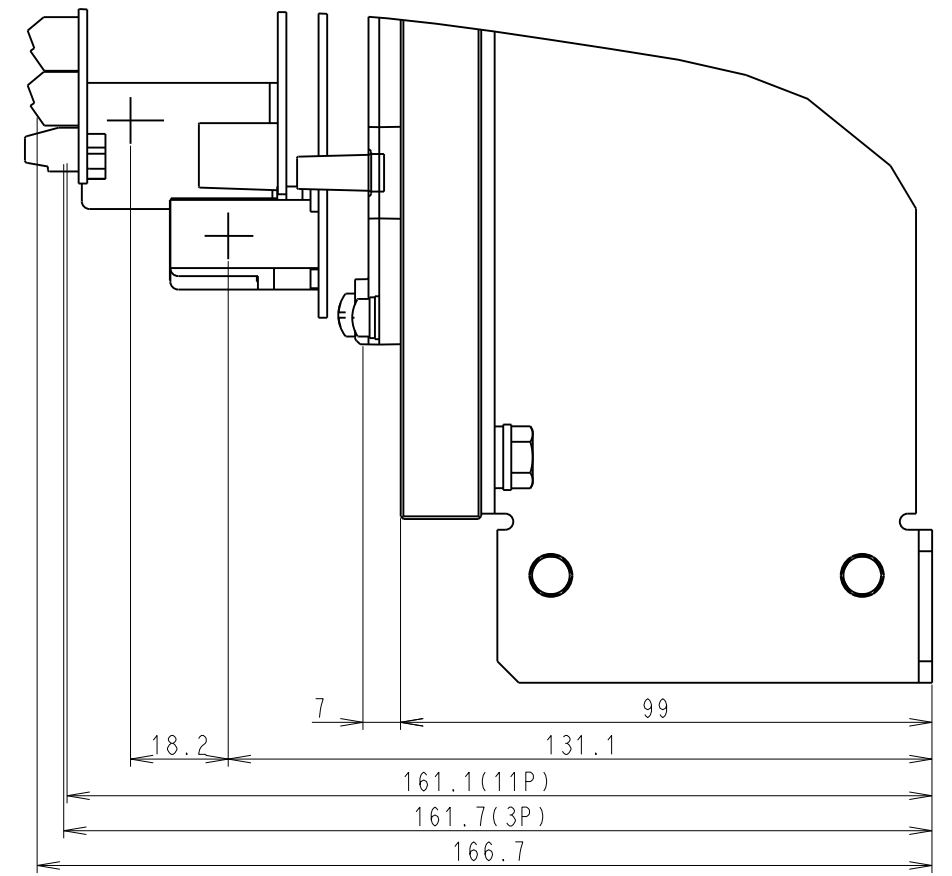
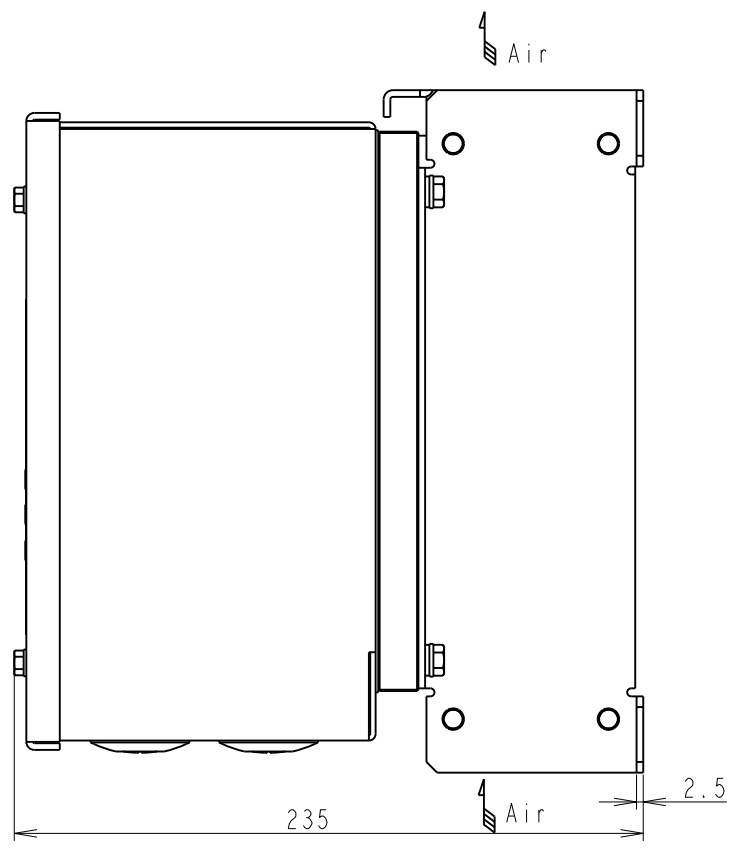
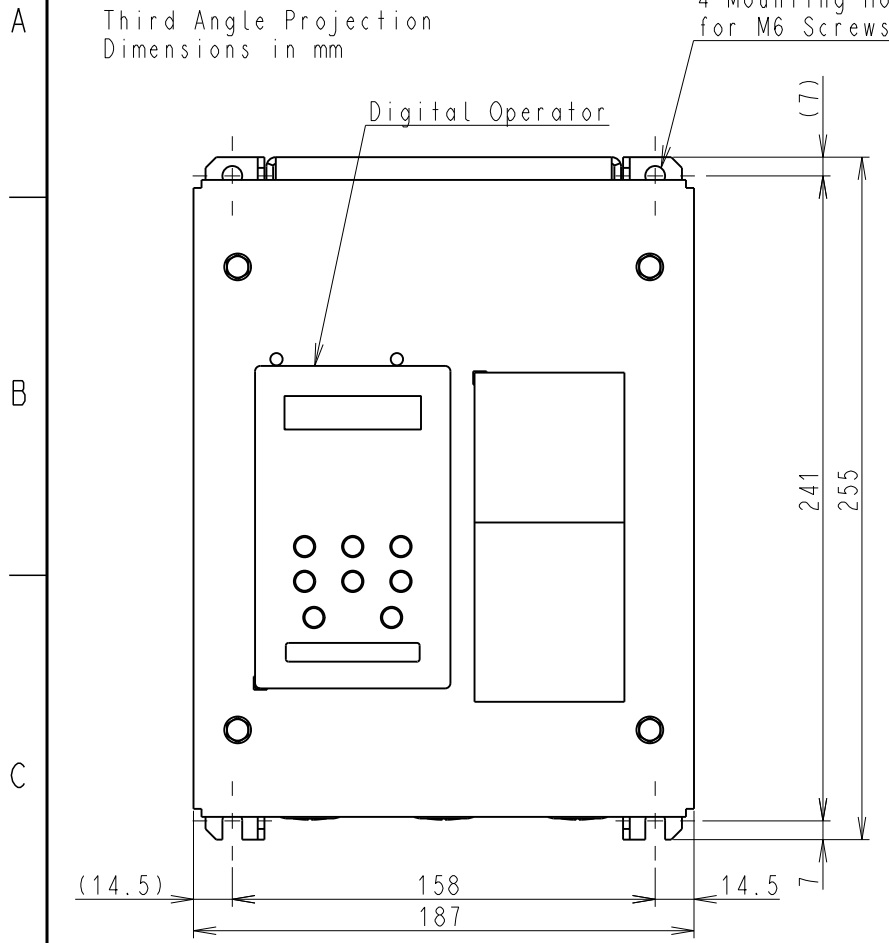


DWG. NO. EZZ901708-1/1

Model No.	Max Appli. Motor (kW)		Terminal Symbol			Cooling Fan	Mass (kg)
	Normal Duty	Heavy Duty	INPUT		OUTPUT (MOTOR)		
CIMR-V#BA0006G	1.1	0.75	R/L1	S/L2	U/T1 V/T2 W/T3	-	7.8
CIMR-V#2A0012G	3.0	2.2	R/L1	S/L2 T/L3	U/T1 V/T2 W/T3	-	7.7



Main Terminal Location

-	+1	+2				
R/L1	S/L2	T/L3	B1	B2	U/T1	V/T2 W/T3

Detail (without Front cover) SCALE 1:√2

REVISIONS	 SCALE 1 : √2	 YASKAWA	DRAW. Jul.17,2008 A.Yoshimoto	TITLE V1000 NEMA4X/IP66 TYPE	DWG. NO. EZZ901708	REV. 1
			CHECK Jul.17,2008 K.Fukuda			
			APPR. Jul.17,2008 H.Okayama			