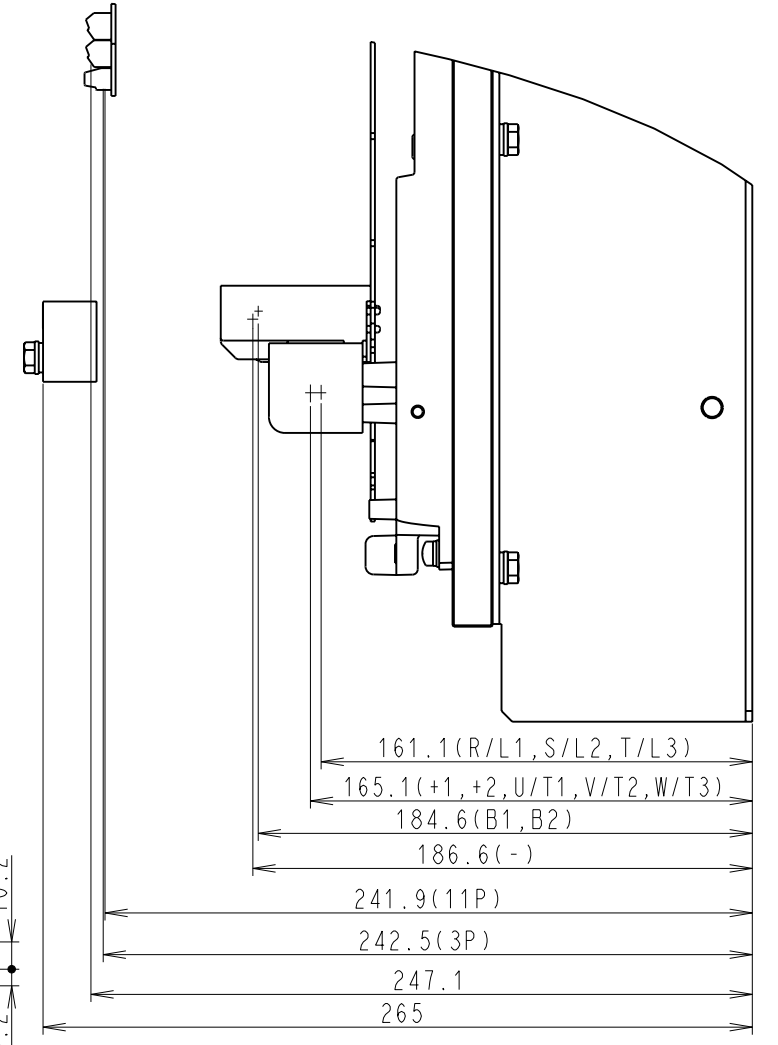
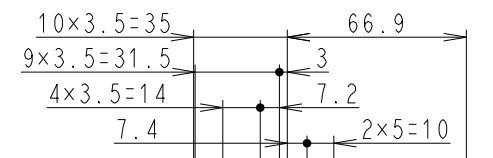
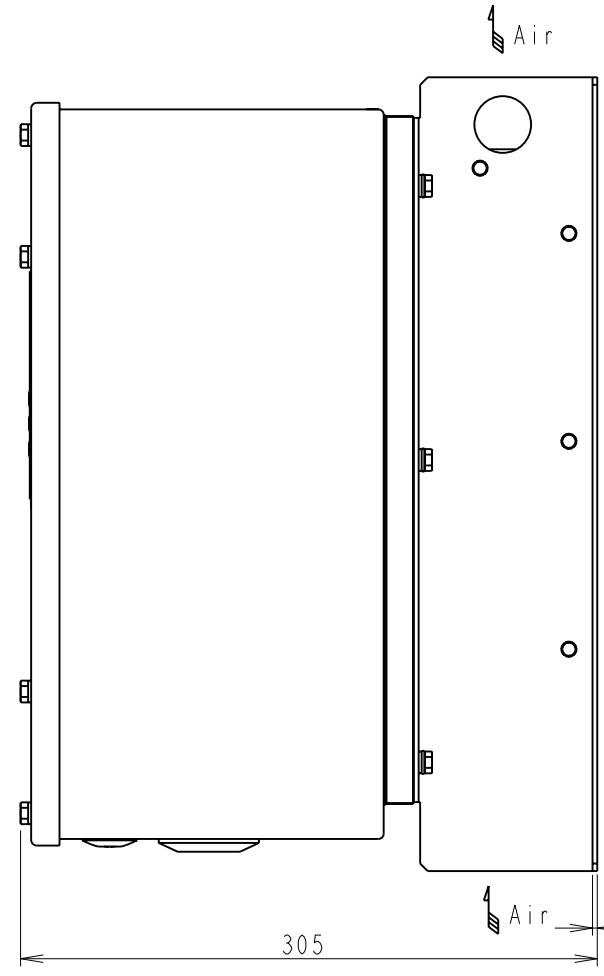
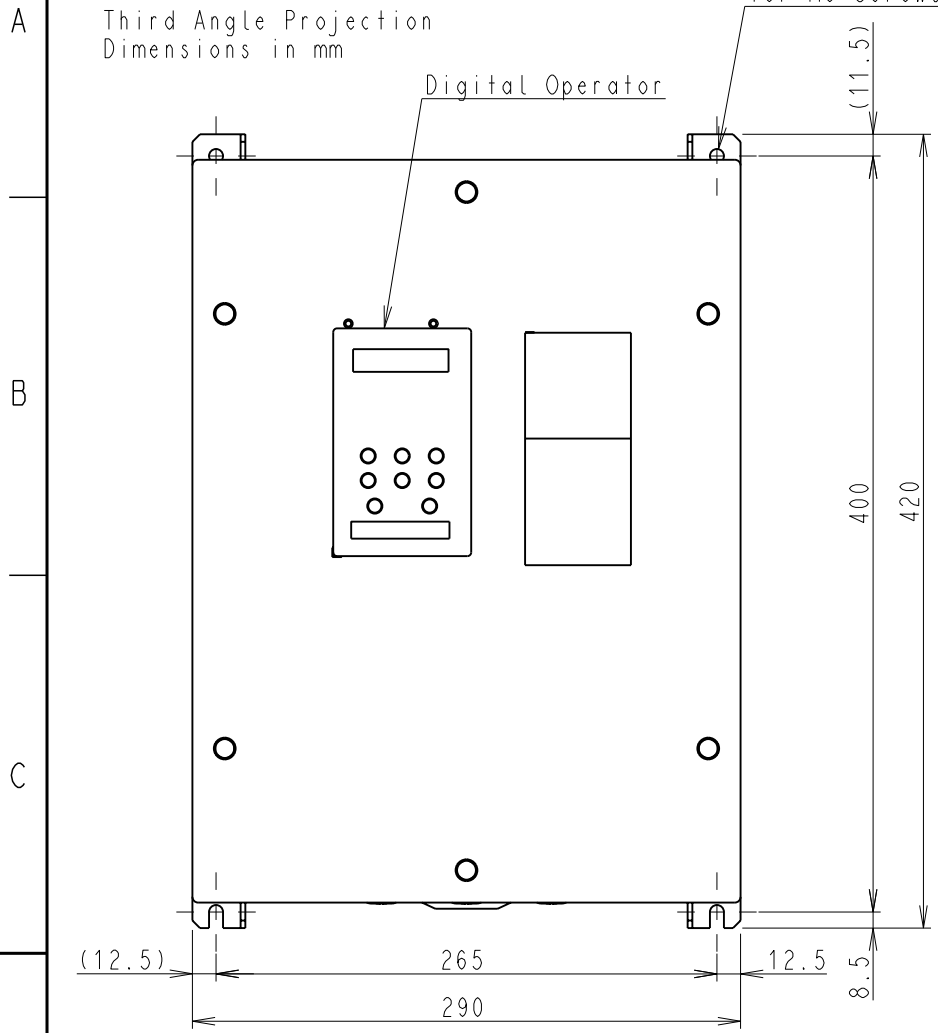
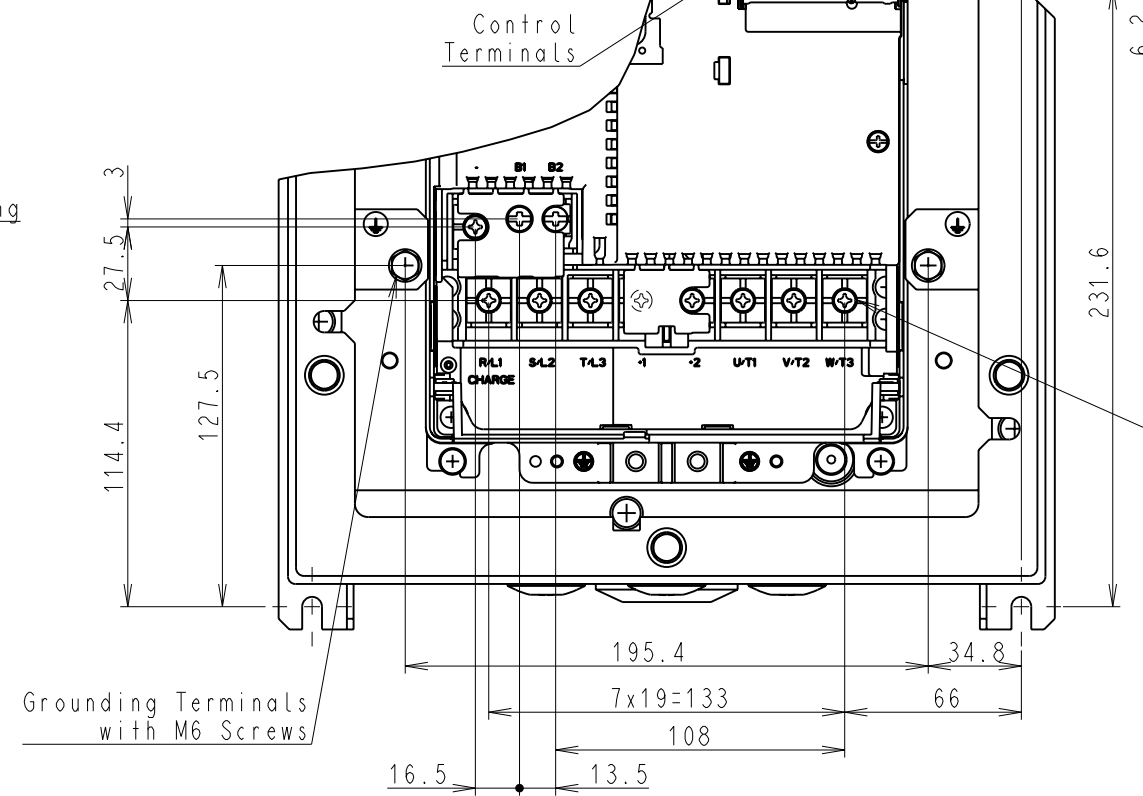
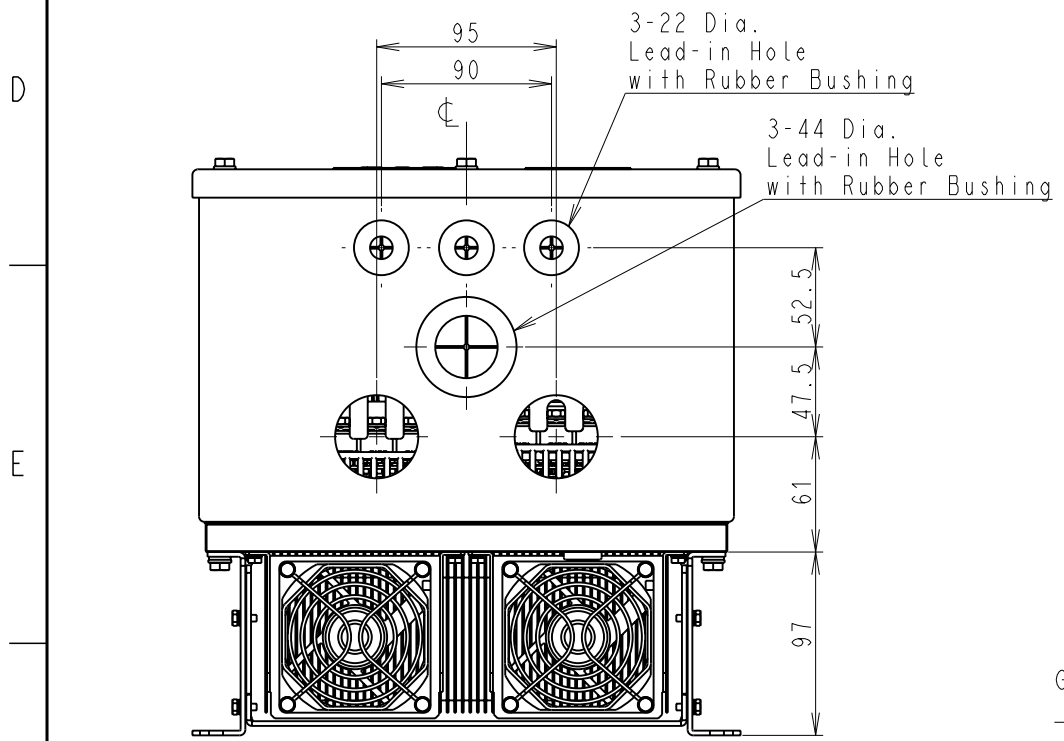


DWG. NO. EZZ901739-1/1

Model No.	Max Appli. Motor (kW)		Terminal Symbol			Cooling Fan	Mass (kg)
	Normal Duty	Heavy Duty	INPUT	OUTPUT(MOTOR)			
CIMR-V#4A0038G	18.5	15	R/L1 S/L2 T/L3	U/T1	V/T2 W/T3	2	23.2



View A



Main Terminal Location

-	B1	B2				
R/L1	S/L2	T/L3	+1	+2	U/T1	V/T2 W/T3

Detail (without Front cover) SCALE 1:2x2

SCALE 1:4

REVISIONS	Nov. 27, 2008 T.Koura		DRAW.	Jul, 17, 2008	N. Koga	TITLE	V1000 NEMA4X/IP66 TYPE	DWG. NO.	EZZ901739	REV.	1
			CHECK	Jul, 17, 2008	K. Fukuda						1
			APPR.	Jul, 17, 2008	H. Okayama						1

SCALE - : -

DIMENSION DIAGRAM