

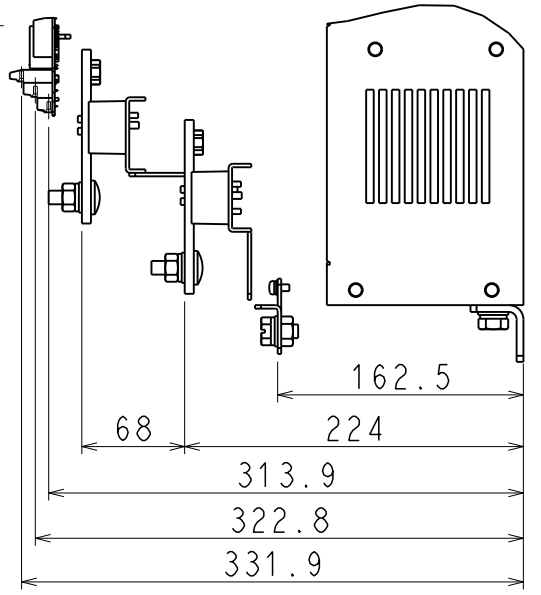
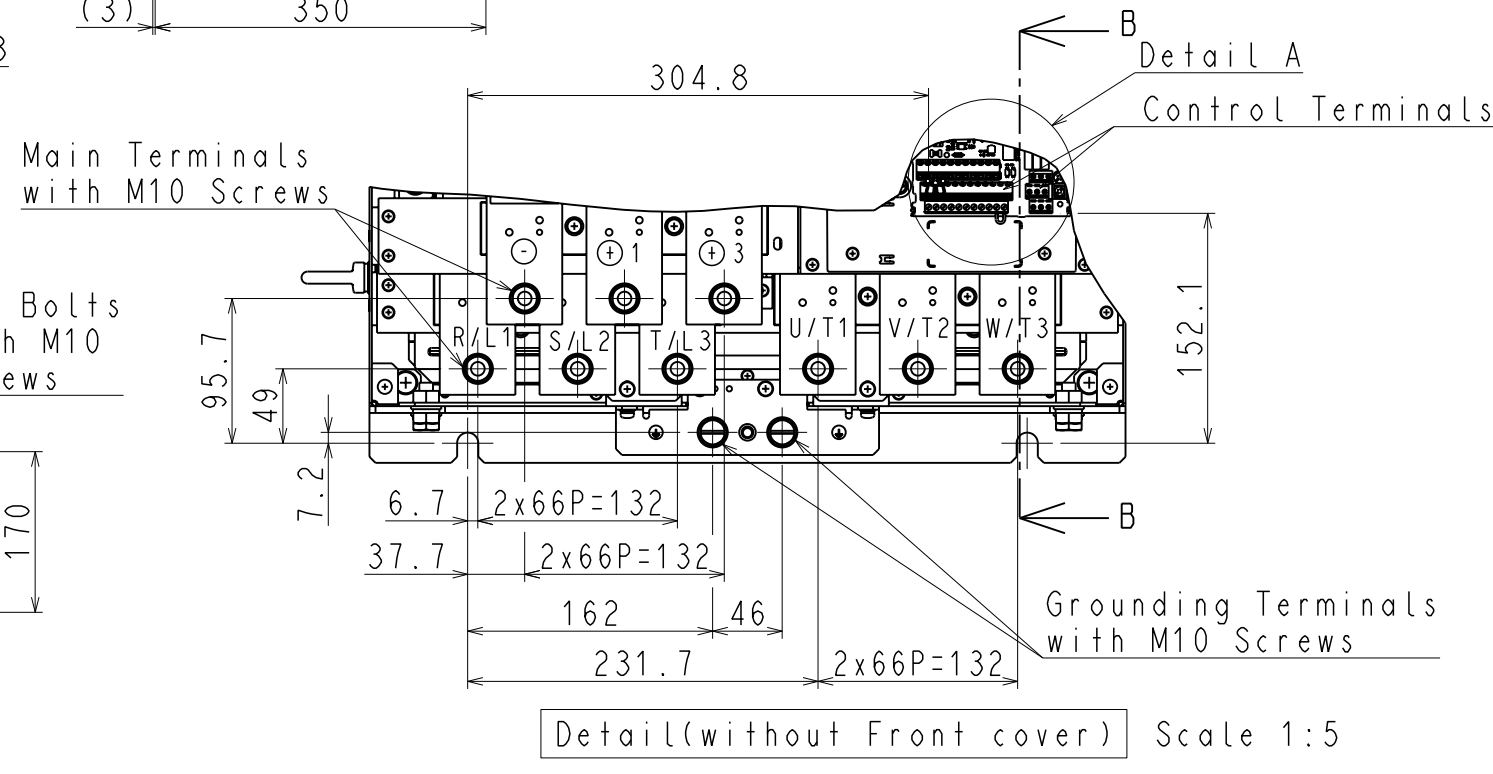
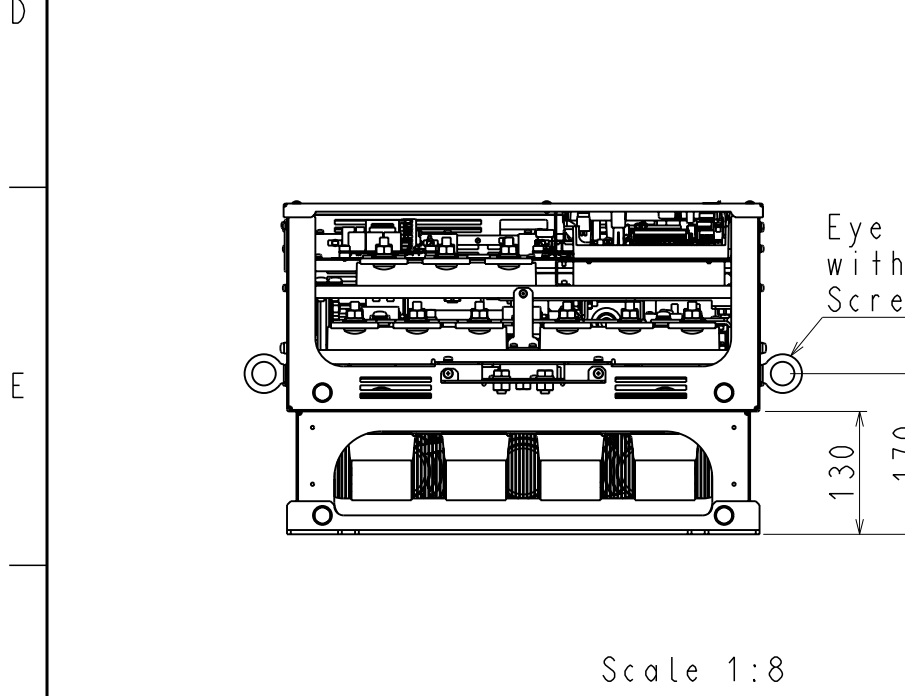
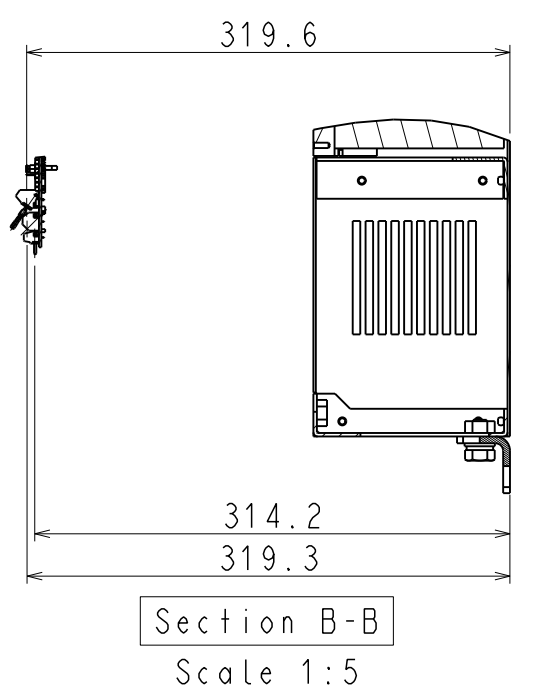
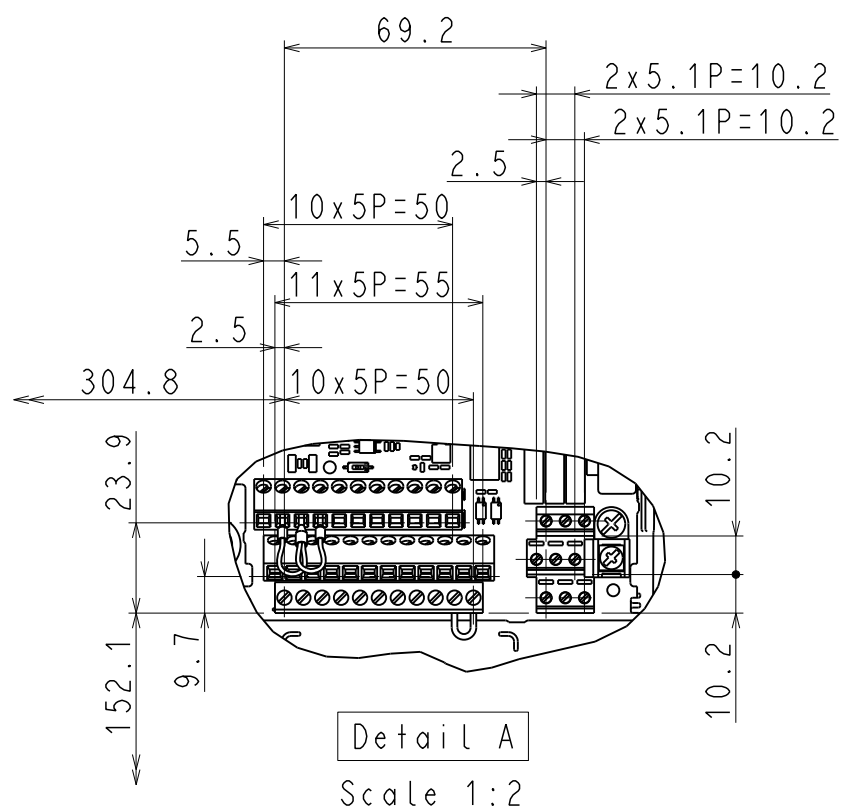
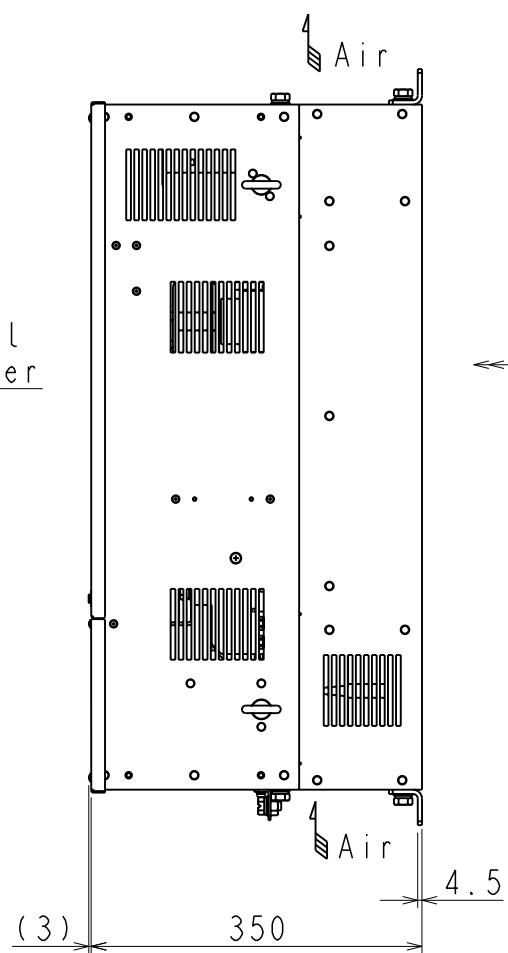
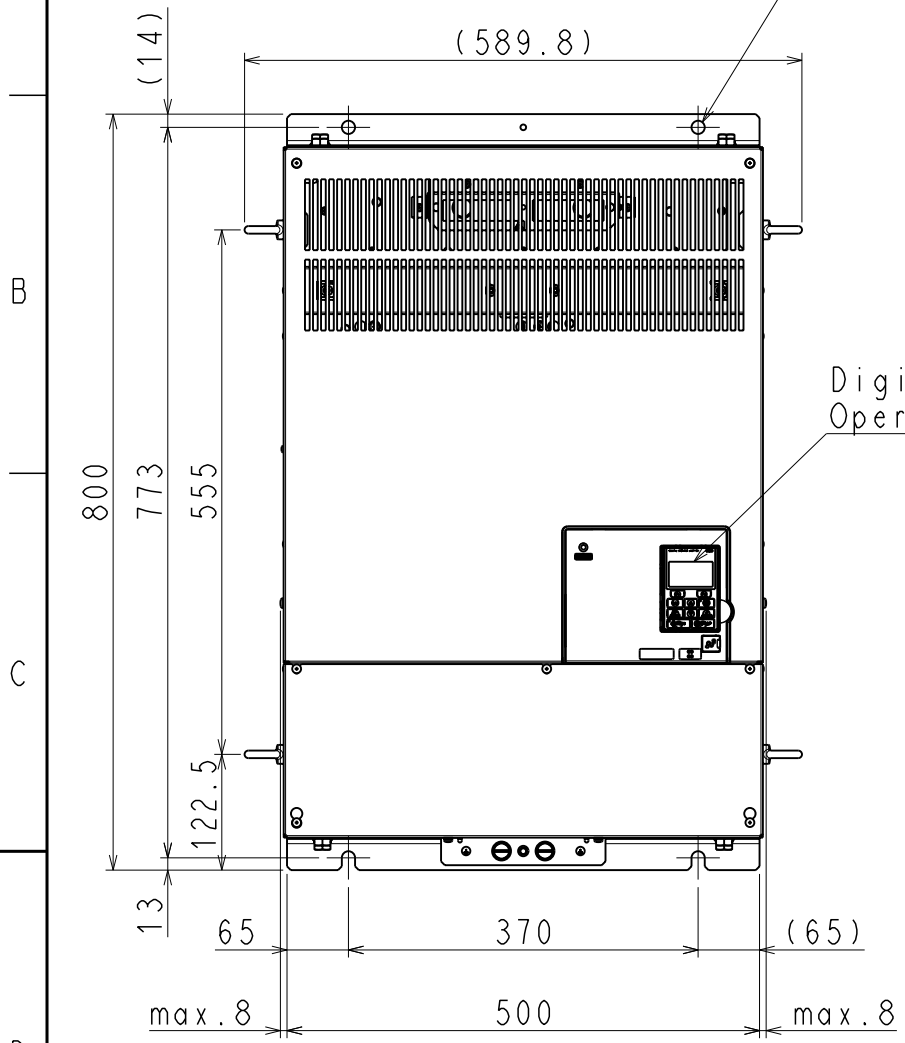
DWG. NO. EZZ902054-1/1

Model No.	Max Appli. Motor (kW)		Terminal Symbol			Cooling Fan	Mass (kg)
	Normal Duty	Heavy Duty	INPUT OUTPUT(MOTOR)				
CIMR-LT4□0216A	-	110	R/L1 S/L2 T/L3	U/T1 V/T2 W/T3	U/T1 V/T2 W/T3	3	96
CIMR-LB4□0216A	-	110	R/L1 S/L2 T/L3	U/T1 V/T2 W/T3	U/T1 V/T2 W/T3	3	96
CIMR-LU4□0216A	-	110	R/L1 S/L2 T/L3	U/T1 V/T2 W/T3	U/T1 V/T2 W/T3	3	96

□: A to Z

Third Angle Projection  
Dimensions in mm

4-Mounting Holes  
for M12 Screw



REVISIONS	SCALE - : -		DRAW. Nov. 28. 2013 N. Takeyama	TITLE L1000A OPEN CHASSIS TYPE	DWG. NO. EZZ902054	1/1	REV. 1
			CHECK M. Kojyo	DIMENSION DIAGRAM			
			APPR. M. Kojyo				