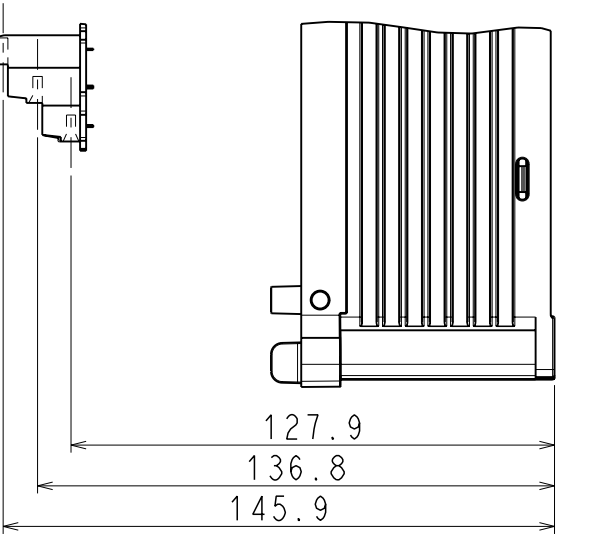
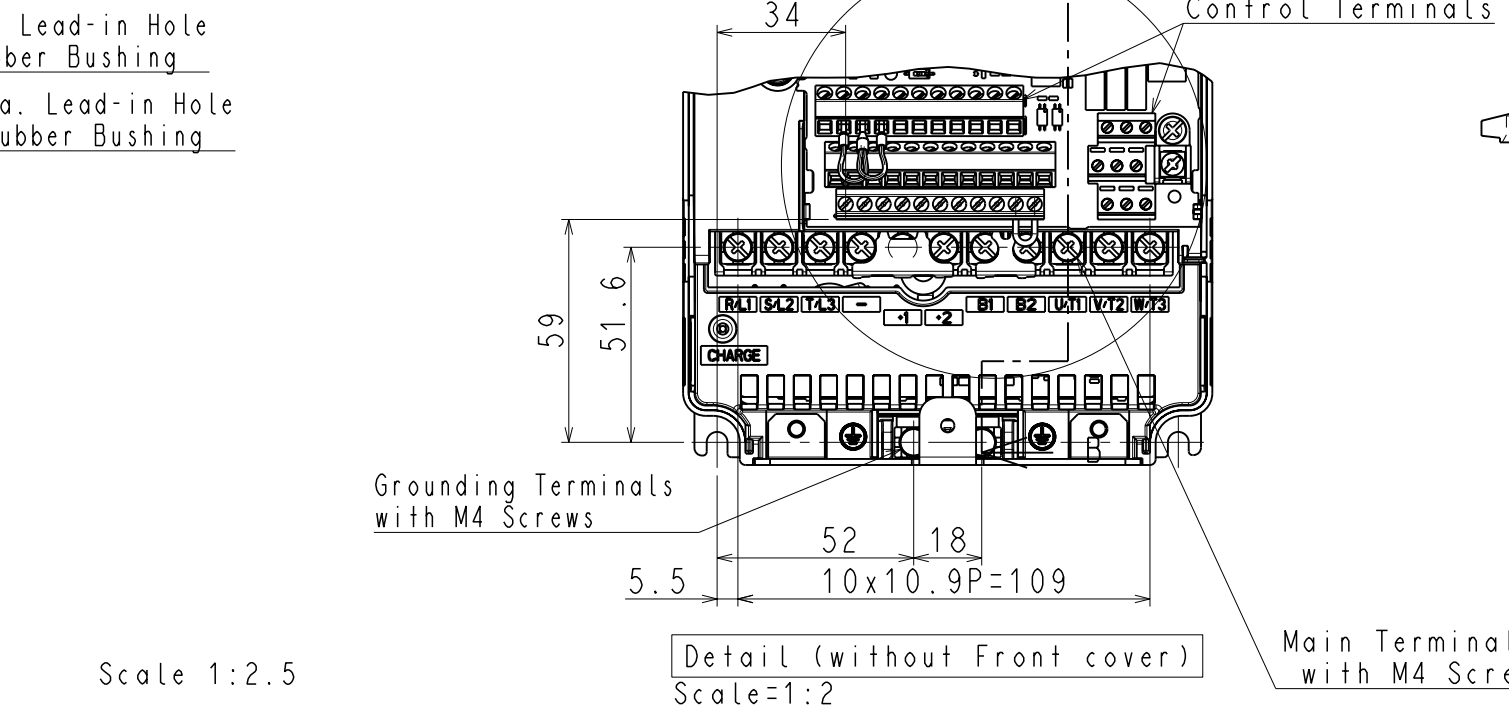
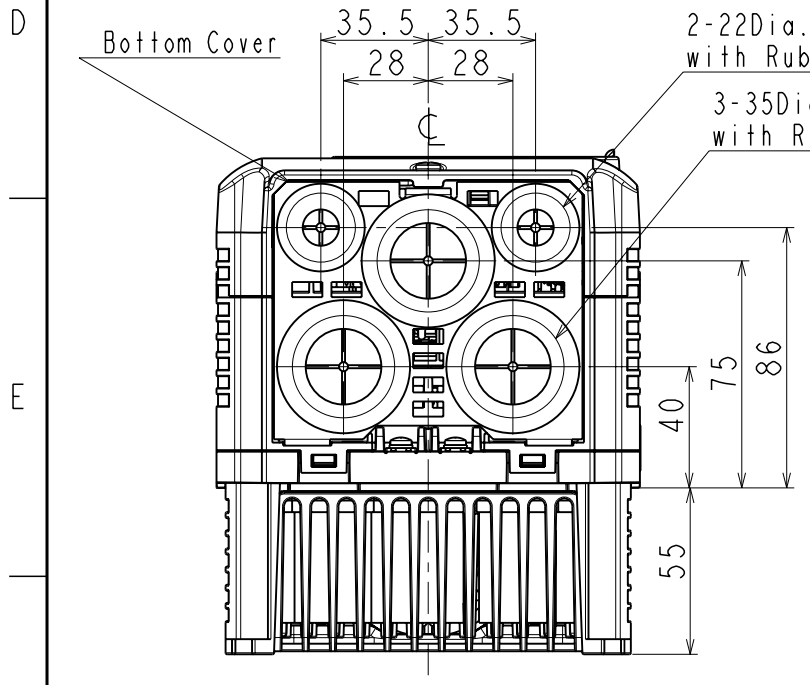
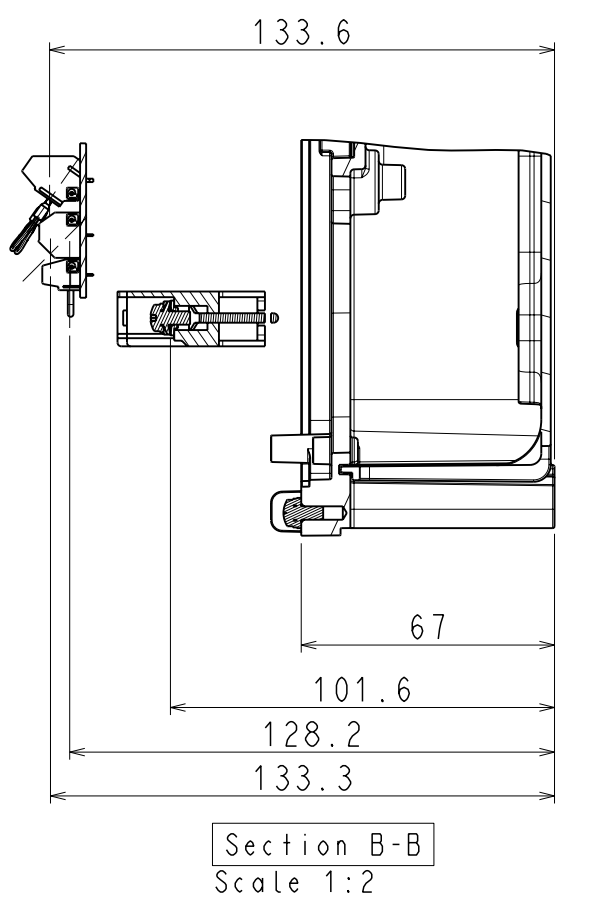
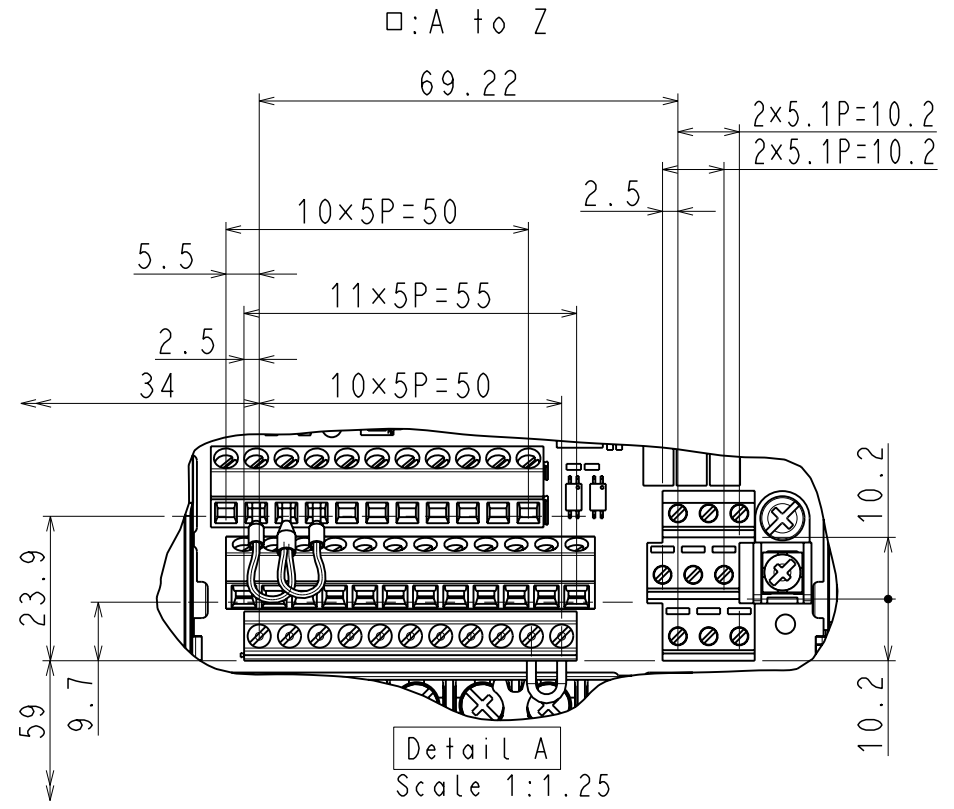
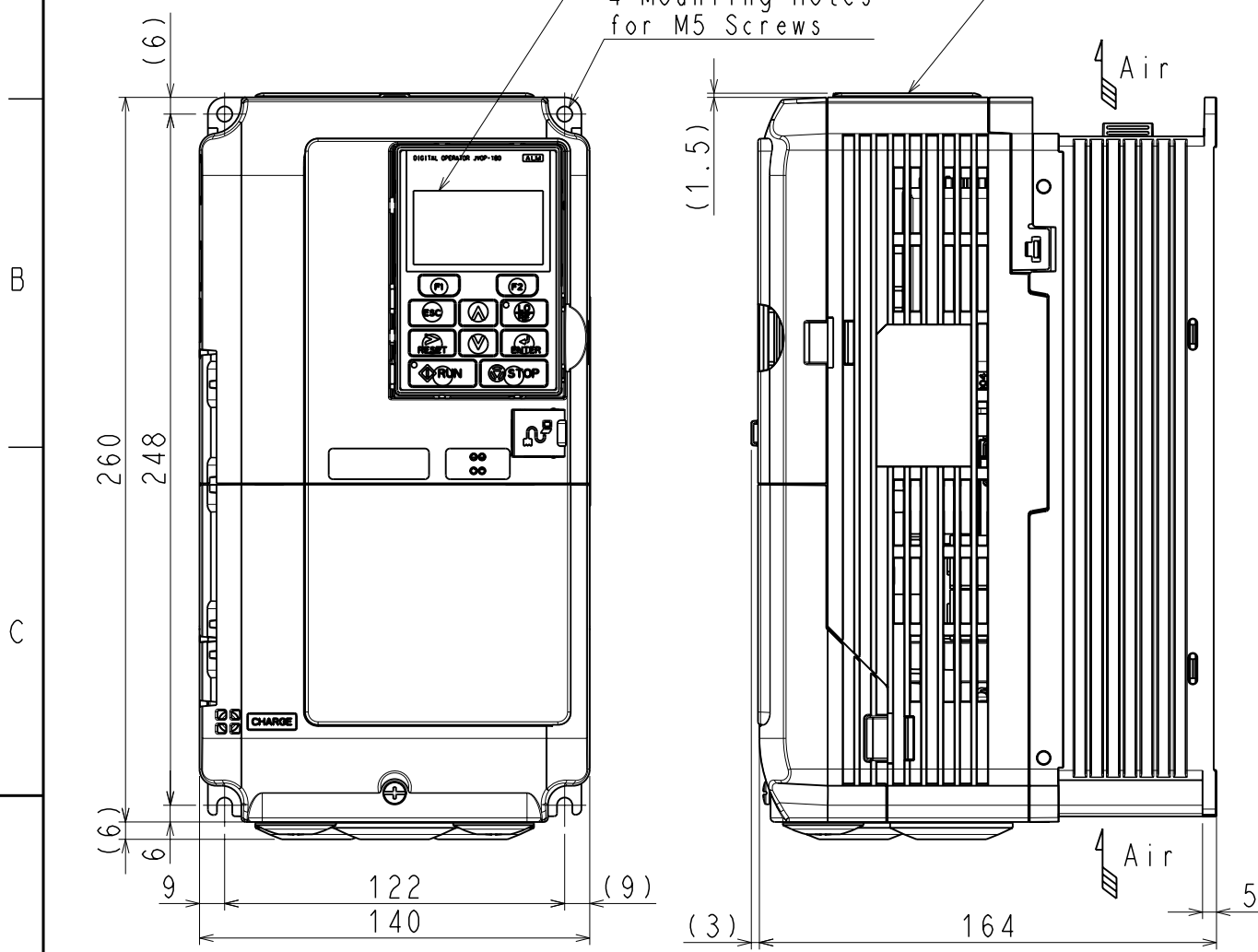


DWG.NO. EZZ902056-1/1

Model No.	Max Appli. Motor (kW)		Terminal Symbol		Cooling Fan	Mass (kg)
	Normal Duty	Heavy Duty	INPUT	OUTPUT (MOTOR)		
CIMR-LU2□0014D	-	3.0	R/L1 S/L2 T/L3	U/T1 V/T2 W/T3	1	3.5
CIMR-LU2□0018D	-	3.7			1	3.5
CIMR-LU4□0006D	-	2.2			1	3.4
CIMR-LU4□0007D	-	3.0			1	3.5
CIMR-LU4□0009D	-	3.7			1	3.5
CIMR-LU5□0004D	-	2.2			1	3.5
CIMR-LU5□0006D	-	3.7			1	3.5

Third Angle Projection
Dimensions in mm



REVISIONS	SCALE - : -	YASKAWA	DRAW. Nov. 21. 2013 M. Sameshima	TITLE L1000A OPEN CHASSIS TYPE	DWG. NO. EZZ902056	REV. 1
			CHECK M. Kojyo	DIMENSION DIAGRAM		
			APPR. M. Kojyo			