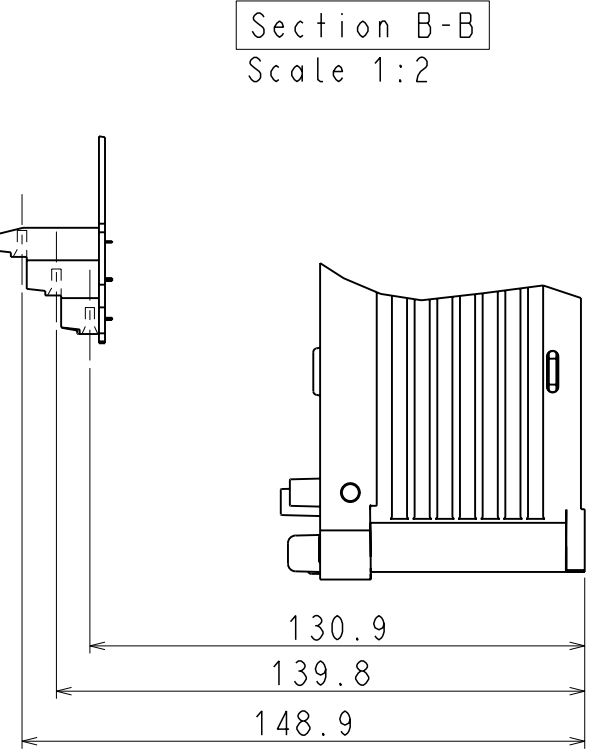
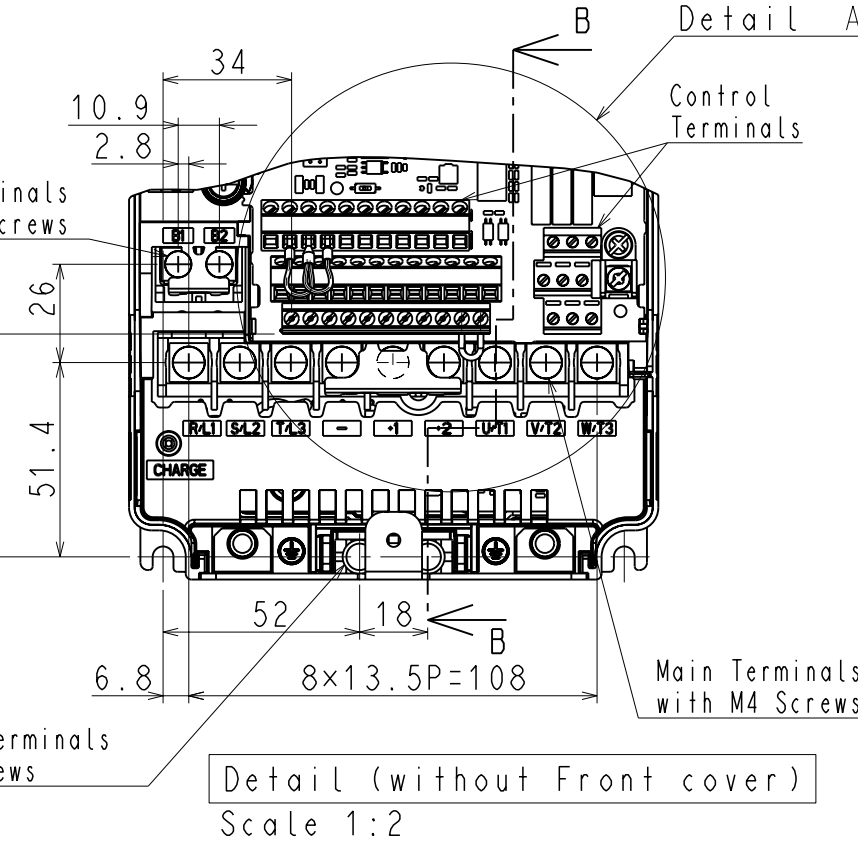
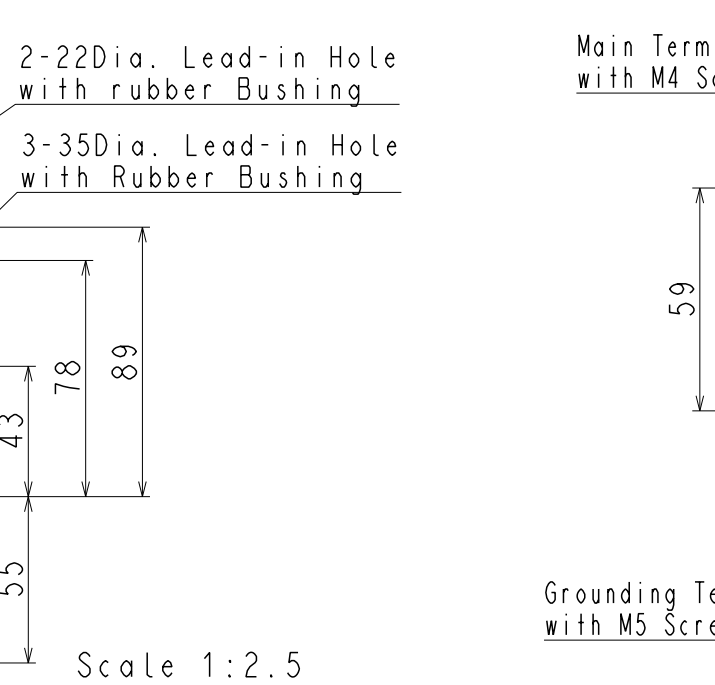
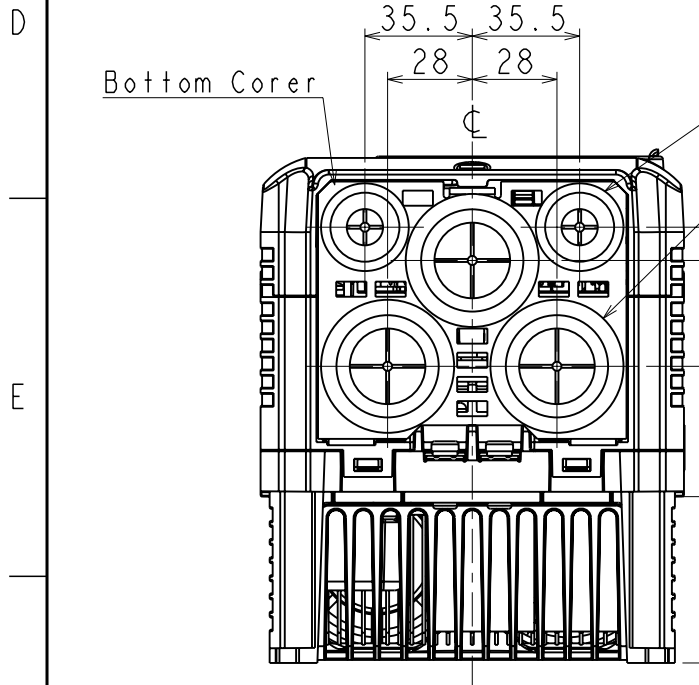
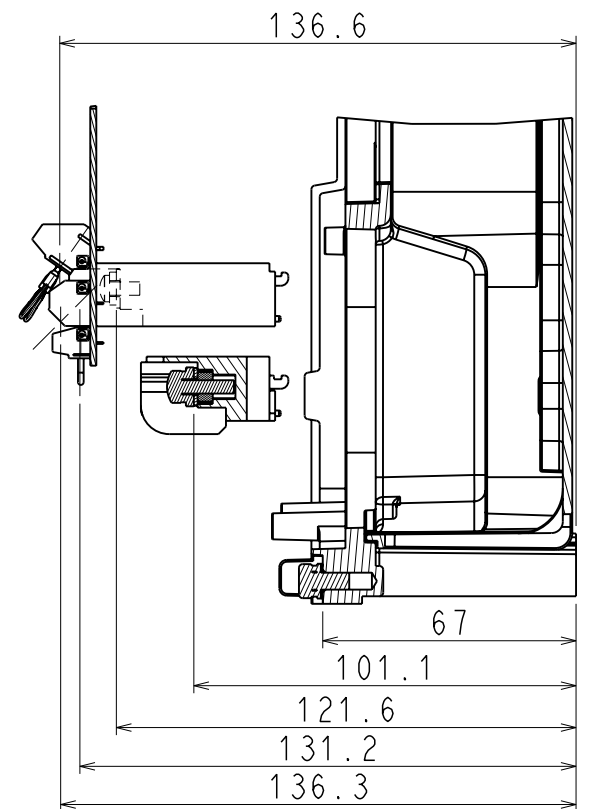
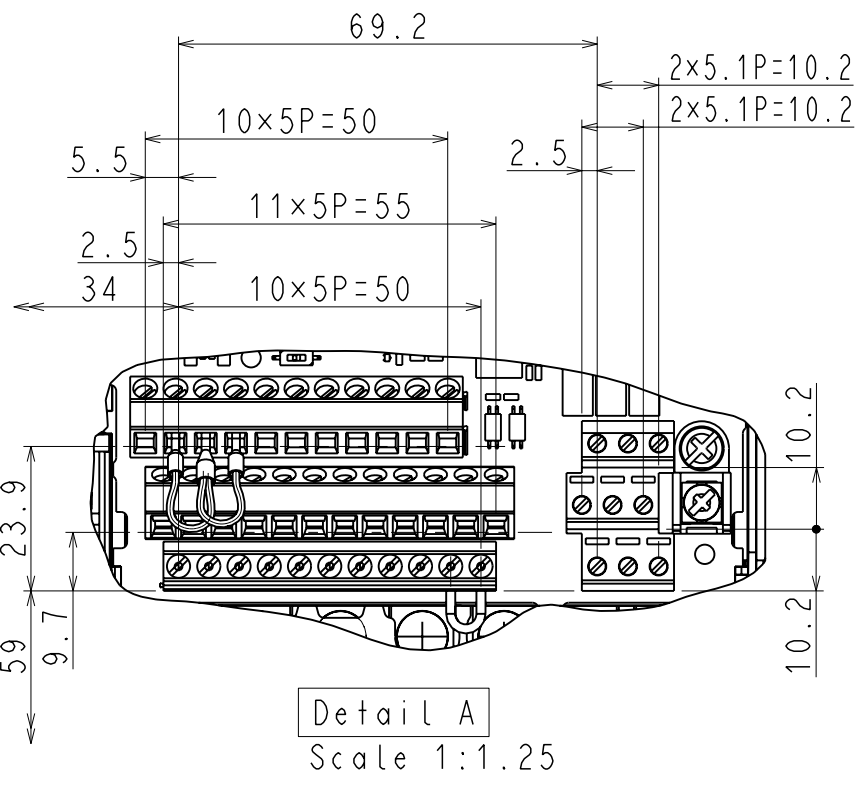
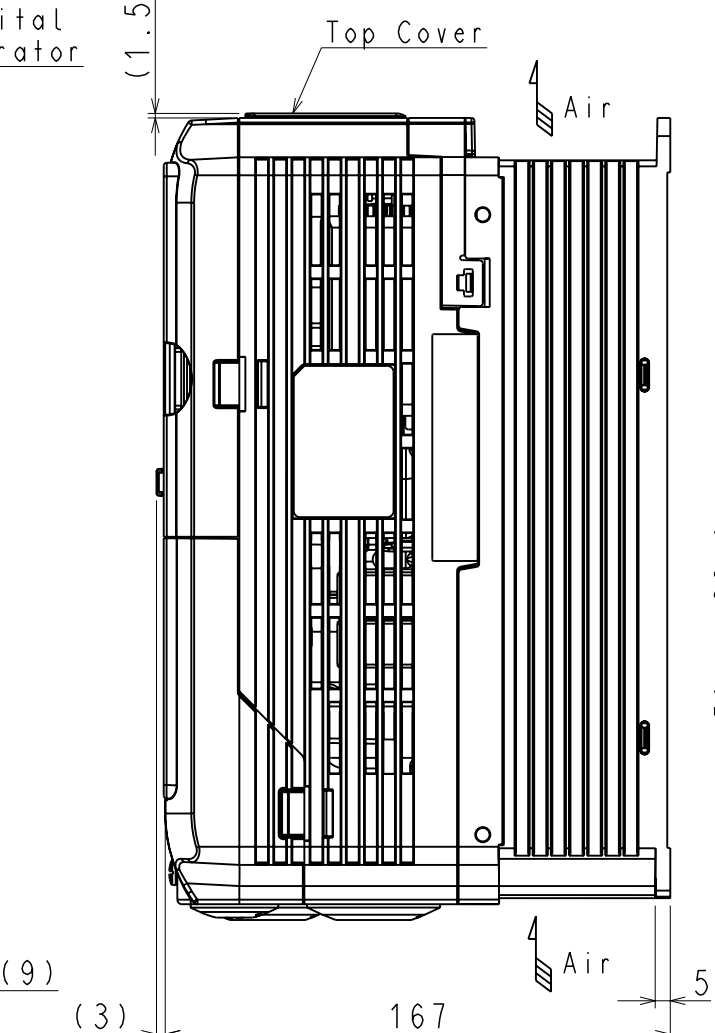
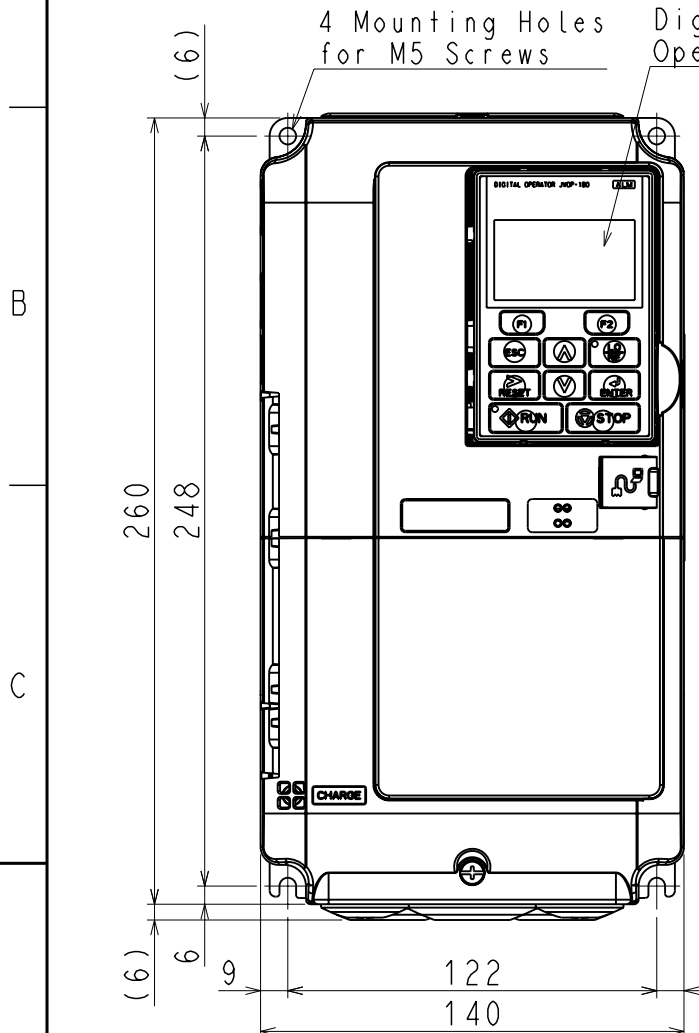


DWG. NO. EZZ902057-1/1

Model No.	Max Appli. Motor (kW)		Terminal Symbol	Cooling Fan	Mass (kg)
	Normal Duty	Heavy Duty			
CIMR-LU2□0025D	-	5.5	R/L1 S/L2 T/L3	U/T1 V/T2 W/T3	2
CIMR-LU2□0033D	-	7.5			2
CIMR-LU4□0015D	-	5.5			2
CIMR-LU4□0018D	-	7.5			2
CIMR-LU5□0010D	-	5.5			2
					2

Third Angle Projection
Dimensions in mm



REVISIONS	SCALE - : -	YASKAWA	DRAW. Nov. 15. 2013 M. Sameshima	TITLE L1000A OPEN CHASSIS TYPE	DWG. NO. EZZ902057	REV. 1
			CHECK M. Kojyo	DIMENSION DIAGRAM		
			APPR. M. Kojyo			