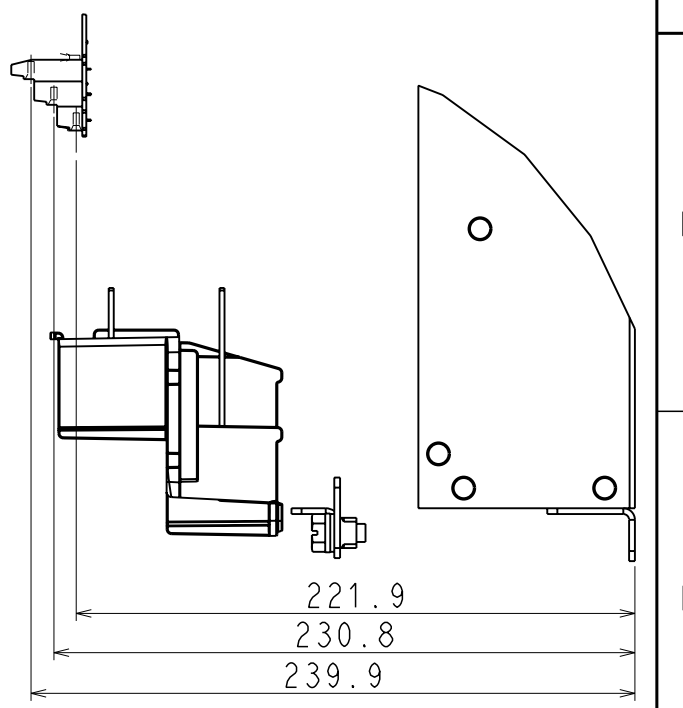
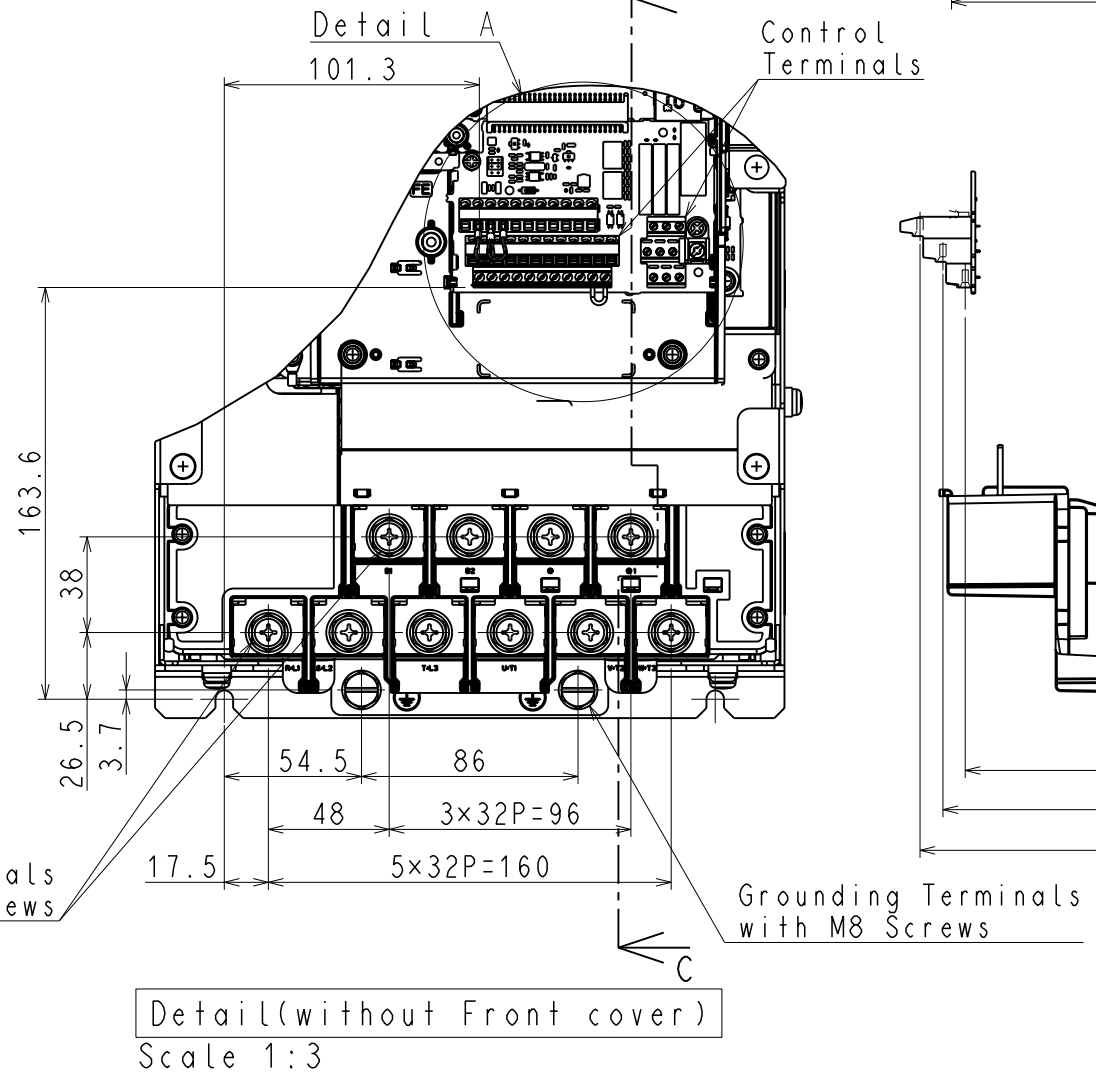
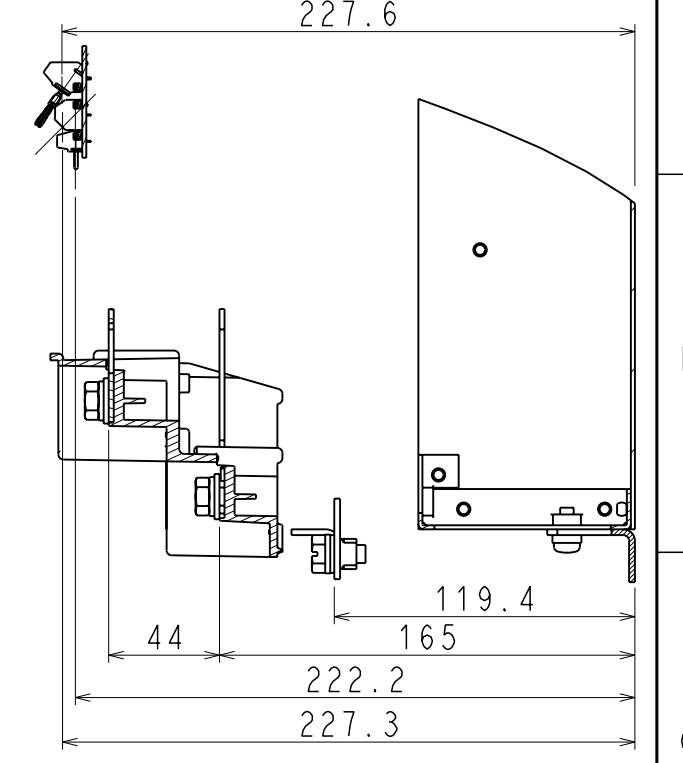
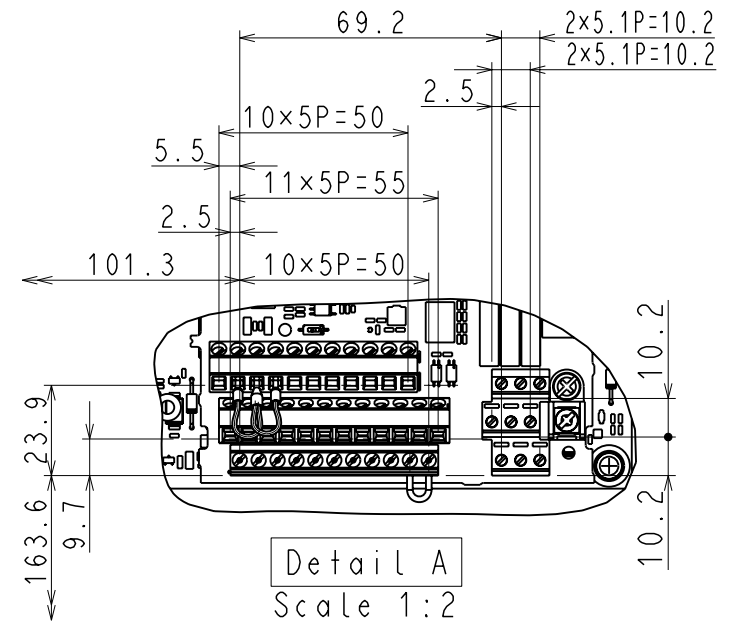
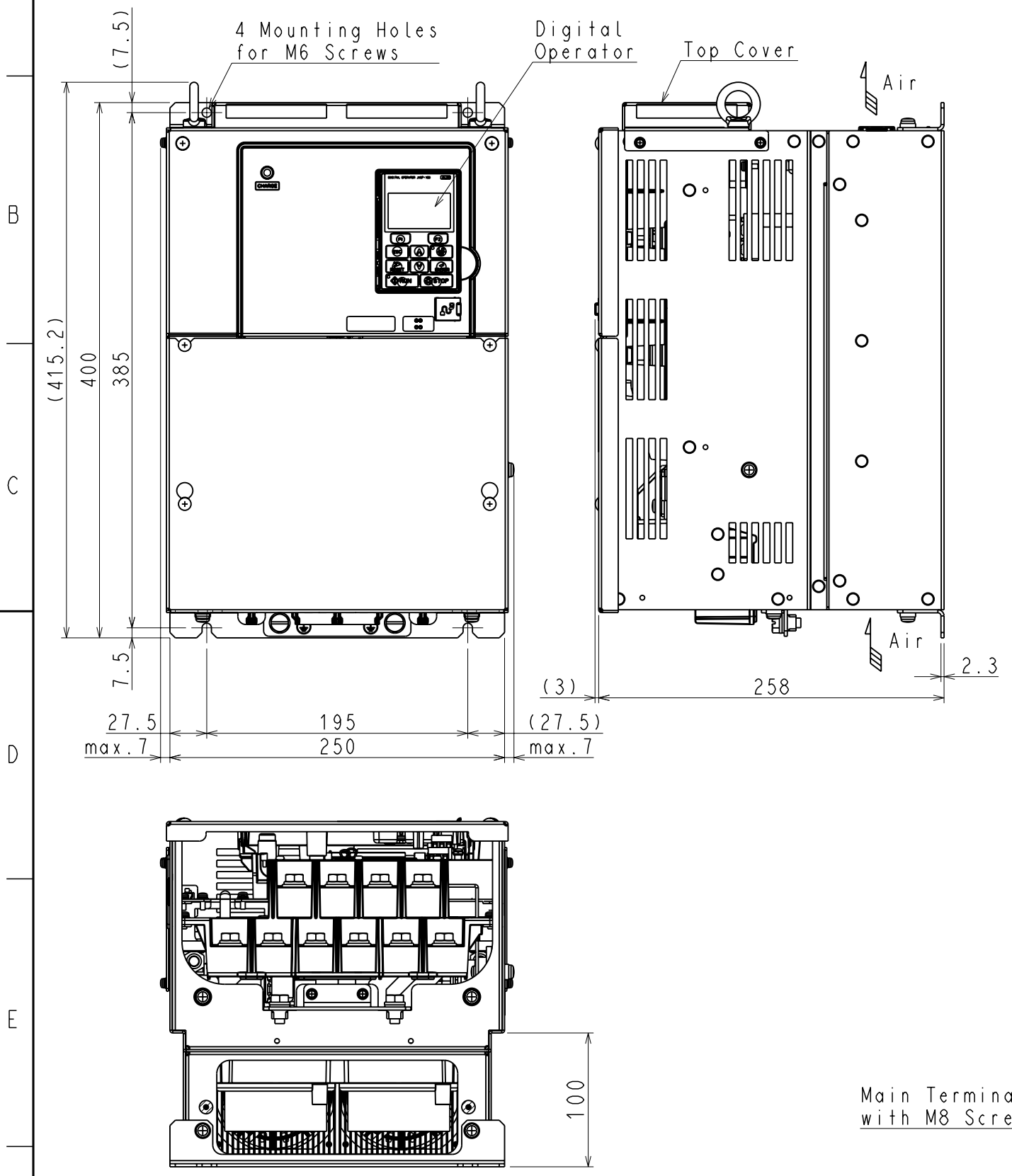


DWG. NO. EZZ902064-1/1

Model No.	Max Appli. Motor (kW)		Terminal Symbol			Cooling Fan	Mass (kg)			
	Normal Duty	Heavy Duty	INPUT OUTPUT(MOTOR)							
CIMR-LU2□0085D	-	22	R/L1	S/L2	T/L3	U/T1	V/T2	W/T3	2	21
CIMR-LU4□0045D	-	22	R/L1	S/L2	T/L3	U/T1	V/T2	W/T3	2	21

Third Angle Projection
Dimensions in mm



REVISIONS	 SCALE - : -	 YASKAWA	DRAW. Nov. 12. 2013 M. Same shima	TITLE L1000A OPEN CHASSIS TYPE	DWG. NO. EZZ902064	1/1	REV.
			CHECK M. Kojyo				
			APPR. M. Kojyo				