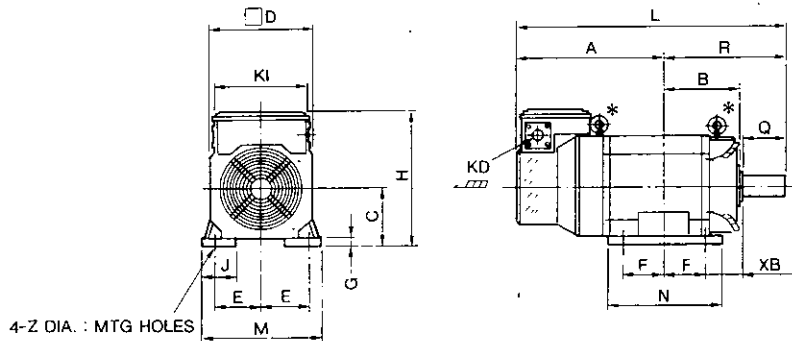


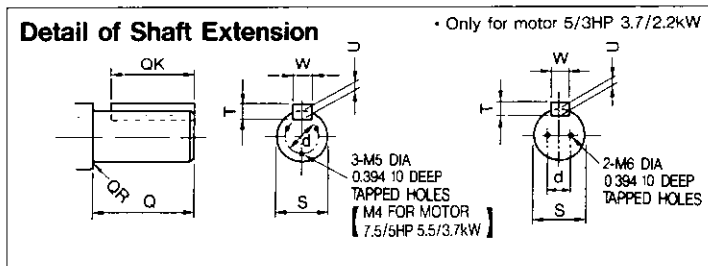
DIMENSIONS

AC SPINDLE MOTOR (General-purpose Series)

FOOT-MOUNTED TYPE



* : Eyebolts are not provided for standard 5/3HP 3.7/2.2kW models.



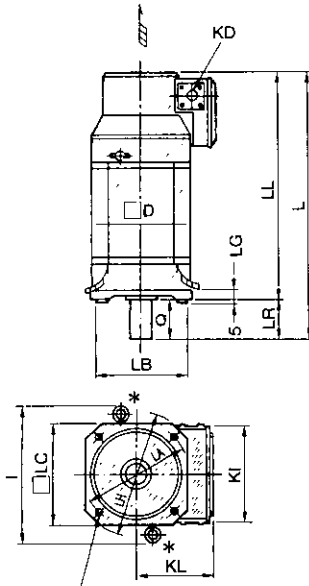
In inches mm

	Rated-Output		A	B	C ^{±0.5}	D	E	F	G	H	J	KD	L	M	N	R	XB	Z	KI	Shaft Extension							
	30-min Rating	Continuous Rating																		HP	kW	Q	QK	QR	S	T	U
Standard	5*	3	9.33	3.66	3.94	6.85	3.15	1.97	0.35	9.53	1.34	1.34	15.43	7.4	4.92	6.1	1.77	0.47	6.85	2.36	1.77	0.04	1.10 ^{±0.002}	0.28	0.16	0.31	0.63
	3.7	2.2	237	93	100	174	80	50	9	242	34	31	392	188	125	155	45	12	174	60	45	1	28 ^{±0.002}	7	4	8	16
	7.5	5	12.13	5.2	3.94	6.85	3.15	3.5	0.35	9.53	1.34	1.34	19.76	7.4	8.11	7.64	1.77	0.47	6.85	2.36	1.77	0.04	1.10 ^{±0.002}	0.28	0.16	0.31	0.87
	5.5	3.7	308	132	190	174	80	89	9	242	34	34	502	188	206	194	45	12	174	60	45	1	28 ^{±0.012}	7	4	8	22
	10	7.5	11.61	5.39	4.41	8.03	3.74	2.76	0.39	10.59	2.95	1.67	20.28	8.66	6.97	8.66	2.76	0.47	8.03	3.15	2.76	0.04	1.26 ^{±0.004}	0.31	0.2	0.39	0.87
	7.5	5.5	295	137	112	204	95	70	10	269	75	42.5	515	220	177	220	70	12	204	80	70	1	32 ^{±0.016}	8	5	10	22
	15	10	12.44	6.14	4.41	8.03	3.74	3.5	0.39	10.59	2.95	1.67	23.03	8.66	8.46	10.59	2.76	0.47	8.03	4.33	3.54	0.02	1.89 ^{±0.004}	0.35	0.22	0.55	1.57
	11	7.5	316	136	112	204	95	89	10	269	75	42.5	585	220	215	269	70	12	204	110	90	0.5	48 ^{±0.016}	9	5.5	14	40
	20	15	10.28	7.72	6.3	10.24	5	3.5	0.63	13.43	2.17	1.67	22.36	11.42	8.78	12.09	4.25	0.59	9.84	4.33	3.54	0.04	1.89 ^{±0.004}	0.35	0.22	0.55	1.57
	15	11	261	196	160	260	127	89	16	341	55	42.5	568	290	223	307	108	15	250	110	90	1	48 ^{±0.016}	9	5.5	14	40
Winding Selection	25	20	11.14	8.35	6.3	10.24	5	4.13	0.63	13.43	2.17	1.67	23.86	11.42	10.04	12.72	4.25	0.59	9.84	4.33	3.54	0.04	1.89 ^{±0.004}	0.35	0.22	0.55	1.57
	18.5	15	283	212	160	260	127	105	16	407	55	61	606	290	255	323	108	15	250	110	90	1	48 ^{±0.016}	9	5.5	14	40
	30	25	11.69	9.21	6.3	10.24	5	5	0.63	13.43	2.17	1.67	25.28	11.42	11.77	13.58	4.25	0.59	9.84	4.33	3.54	0.04	2.17 ^{±0.001}	0.39	0.24	0.63	1.77
	22	18.5	297	234	160	260	127	127	16	341	55	42.5	612	290	299	345	108	15	250	110	90	1	55 ^{±0.017}	10	6	16	45
	40	30	15.98	9.69	7.09	12.6	5.49	5	0.63	16.02	2.17	2.4	31.26	12.6	11.73	15.28	4.76	0.75	12.6	5.51	4.33	0.08	2.36 ^{±0.004}	0.43	0.28	0.71	1.97
	30	22	406	246	180	320	139.5	127	16	407	55	61	794	320	298	388	121	19	320	140	110	2	66 ^{±0.017}	11	7	18	50
	50	40	18.11	11.69	7.09	12.6	5.49	7.01	0.63	16.02	2.17	2.4	35.39	12.6	15.75	17.28	4.76	0.75	12.6	5.51	4.33	0.08	2.36 ^{±0.004}	0.43	0.28	0.71	1.97
	37	30	460	297	180	320	139.5	178	16	407	55	61	899	320	400	439	121	19	320	140	110	2	66 ^{±0.017}	11	7	18	50
Winding Selection	7.5	5	10.28	7.72	6.3	10.24	5	3.5	0.63	13.43	2.17	1.67	22.36	11.42	8.78	12.09	4.25	0.59	9.84	4.33	3.54	0.04	1.89 ^{±0.004}	0.35	0.22	0.55	1.57
	5.5	3.7	261	196	160	260	127	89	16	341	55	42.5	568	290	223	307	108	15	250	110	90	1	48 ^{±0.016}	9	5.5	14	40
	10	7.5	11.14	8.35	6.3	10.24	5	4.13	0.63	13.43	2.17	1.67	23.86	11.42	10.04	12.72	4.25	0.59	9.84	4.33	3.54	0.04	1.89 ^{±0.004}	0.35	0.22	0.55	1.57
	7.5	5.5	283	212	160	260	127	105	16	407	55	42.5	606	290	255	323	108	15	250	110	90	1	48 ^{±0.016}	9	5.5	14	40
Winding Selection	15	10	12.22	9.7	6.3	10.24	5	5.49	0.63	13.43	2.17	1.67	26.3	11.42	12.76	14.07	4.25	0.59	9.84	4.33	3.54	0.04	2.17 ^{±0.002}	0.39	0.24	0.63	1.77
	11	7.5	310.5	246.5	160	260	127	139.5	16	341	55	42.5	668	290	324	357.5	108	15	250	110	90	1	55 ^{±0.017}	10	6	16	45
Winding Selection	20	15	15.98	9.69	7.09	12.6	5.49	5	0.63	16.02	2.17	2.4	31.26	12.6	11.73	15.28	4.76	0.75	12.6	5.51	4.33	0.08	2.36 ^{±0.004}	0.43	0.28	0.71	1.97
	15	11	406	246	180	320	139.5	127	16	407	55	61	794	320	298	388	121	19	320	140	110	2	60 ^{±0.017}	11	7	18	50

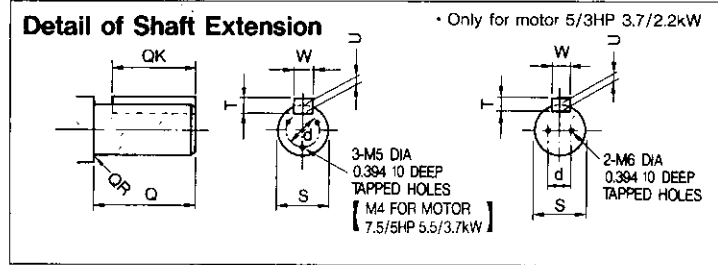
* : Model 5/3HP 3.7/2.2kW is 15-minute rating/continuous rating. The model is not furnished with eyebolts.

Note : Dimensions of the shaft extension key and keyway are based on JIS (Japanese Industrial Standard) B1301.

FLANGE-MOUNTED TYPE



4-Z DIA. : MTG HOLES



* : Eyebolts are not provided for standard 5/3HP 3.7/2.2kW models.

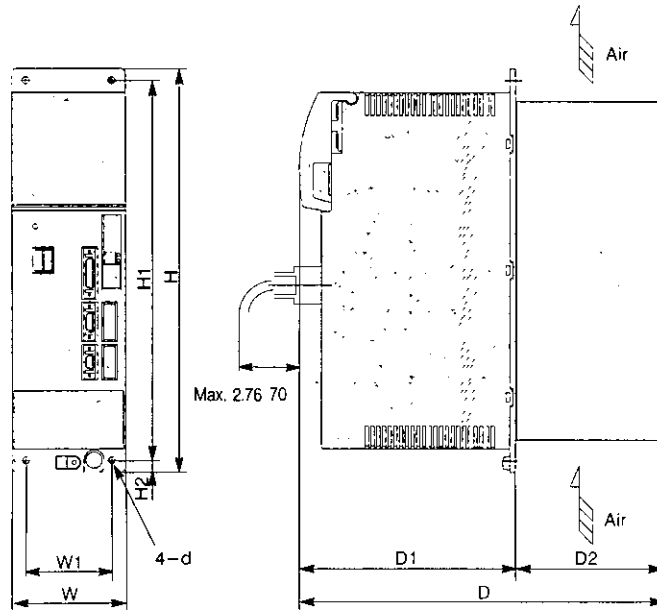
In inches mm

	Rated-Output		L	LA	LB	LC	LG	LH	LL	LR	Z	D	I	KD	KL	KI	Shaft Extension							
	HP kW	HP kW															Q	QK	QR	S	T	U	W	d
Standard	5*	3	15.43	7.28	5.91	6.85	0.47	8.66	13.07	2.36	0.43	6.85	-	1.34	5.59	6.85	2.36	1.77	0.04	1.10	0.28	0.16	0.31	0.63
	3.7	2.2	392	185	150	171	12	220	332	60	11	174	-	34	142	174	60	45	1	28	7	4	8	16
	7.5	5	19.76	7.28	5.91	6.85	0.47	8.66	17.4	2.36	0.43	6.85	-	1.34	5.59	6.85	2.36	1.77	0.04	1.10	0.28	0.16	0.31	0.87
	5.5	3.7	502	185	150	174	12	220	442	60	11	174	-	34	142	174	60	45	1	28	7	4	8	22
	10	7.5	20.28	8.46	7.09	8.03	0.63	9.84	17.13	3.15	0.59	8.03	10.63	1.67	6.18	8.03	3.15	2.76	0.04	1.26	0.31	0.2	0.39	0.87
	7.5	5.5	515	215	180	204	16	250	435	80	15	204	270	42.5	157	204	80	70	1	32	8	5	10	22
	15	10	23.03	8.46	7.09	8.03	0.63	9.84	18.7	4.33	0.59	8.03	10.63	1.67	6.18	8.03	4.33	3.54	0.02	1.89	0.35	0.22	0.55	1.57
	11	7.5	585	215	180	204	16	250	475	110	15	204	270	42.5	157	204	110	90	0.5	48	9	5.5	14	40
	20	15	22.36	10.43	9.06	9.84	0.79	11.81	18.03	4.33	0.59	10.24	13.5	1.67	7.19	9.84	4.33	3.54	0.04	1.89	0.35	0.22	0.55	1.57
	15	11	568	265	230	250	20	300	458	110	15	260	343	42.5	182.5	250	110	90	1	48	9	5.5	14	40
	25	20	23.86	10.43	9.06	9.84	0.79	11.81	19.53	4.33	0.59	10.24	13.5	1.67	7.19	9.84	4.33	3.54	0.04	1.89	0.35	0.22	0.55	1.57
	18.5	15	606	265	230	250	20	300	496	110	15	260	343	42.5	182.5	250	110	90	1	48	9	5.5	14	40
	30	25	25.28	10.43	9.06	9.84	0.79	11.81	20.94	4.33	0.59	10.24	13.5	1.67	7.19	9.84	4.33	3.54	0.04	2.17	0.39	0.24	0.63	1.77
	22	18.5	642	265	230	250	20	300	532	110	15	260	343	42.5	182.5	250	110	90	1	55	6	16	45	45
40	30	31.26	13.78	11.81	12.6	0.79	15.16	25.75	5.51	0.75	12.6	17.32	2.4	8.82	12.6	5.51	4.33	0.08	2.36	0.43	0.28	0.71	1.97	
30	22	794	350	300	320	20	385	654	140	19	320	440	40	224	320	140	110	2	60	11	7	18	50	
50	40	35.39	13.78	11.81	12.6	0.79	15.16	29.88	5.51	0.75	12.6	17.32	2.4	8.82	12.6	5.51	4.33	0.08	2.36	0.43	0.28	0.71	1.97	
37	30	899	350	300	320	20	385	759	140	19	320	440	40	224	320	140	110	2	60	11	7	18	50	
Winding Selection	7.5	5	22.36	10.43	9.06	9.84	0.79	11.81	18.03	4.33	0.59	10.24	13.5	1.67	7.19	9.84	4.33	3.54	0.02	1.89	0.35	0.22	0.55	1.57
	5.5	3.7	568	265	230	250	20	300	458	110	15	260	343	42.5	182.5	250	110	90	0.5	48	9	5.5	14	40
	10	7.5	23.86	10.43	9.06	9.84	0.79	11.81	19.53	4.33	0.59	10.24	13.5	1.67	7.19	9.84	4.33	3.54	0.02	1.89	0.35	0.22	0.55	1.57
	7.5	5.5	606	265	230	250	20	300	496	110	15	260	343	42.5	182.5	250	110	90	0.5	48	9	5.5	14	40
	15	10	26.3	10.43	9.06	9.84	0.79	11.81	21.97	4.33	0.59	10.24	13.5	1.67	7.19	9.84	4.33	3.54	0.04	2.17	0.39	0.24	0.63	1.77
	11	7.5	668	265	230	250	20	300	558	110	15	260	343	42.5	182.5	250	110	90	1	55	10	6	16	45
20	15	31.26	13.78	11.81	12.6	0.79	15.16	25.75	5.51	0.75	12.6	17.32	2.4	8.82	12.6	5.51	4.33	0.08	2.36	0.43	0.28	0.71	1.97	
15	11	794	350	300	320	20	385	654	140	19	320	440	40	224	320	140	110	2	60	11	7	18	50	

* : Model 5/3HP 3.7/2.2kW is 15-minute rating/continuous rating. The model is not furnished with eyebolts.

Note : Dimensions of the shaft extension key and keyway are based on JIS (Japanese Industrial Standard) B1301.

INVERTER (VS-626M5)

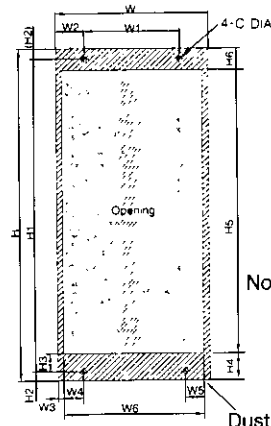


In inches mm

Model CIMR-M5	W	H	D	W1	H1	H2	D1	D2	Approx. Mass lb/kg	d
23P7	3.9	13.78	12.6	2.95	12.99	0.39	7.48	5.12	11	M5
25P5	99	350	320	75	330	10	190	130	5	
27P5										
2011										M5
2015	5.87	13.78	12.6	3.94	12.99	0.39	7.48	5.12	26.5	
2018	149	350	320	100	330	10	190	130	12	
2022										
2030	7.83	13.78	12.6	5.91	12.99	0.39	7.48	5.12	35.3	M5
2037	199	350	320	150	330	10	190	130	16	
2037	11.77	13.78	12.6	9.84	12.99	0.39	7.48	5.12	57.3	M6
	299	350	320	250	330	10	190	130	26	
45P5	3.9	13.78	12.6	2.95	12.99	0.39	7.48	5.12	11	M5
47P5	99	350	320	75	330	10	190	130	5	
4011										M5
4015	5.87	13.78	12.6	3.94	12.99	0.39	7.48	5.12	26.5	
4018	149	350	320	100	330	10	190	130	12	
4022										
4030										M5
4037	9.8	13.78	12.6	7.87	12.99	0.39	7.48	5.12	35.3	
4045	249	350	320	200	330	10	190	130	16	

PANEL CUTOUT

(COMMON FOR INVERTER AND CONVERTER)



Note : Gasket is attached on mounting area of converter and inverter unit.

Dust Gasket (Hatched Area)

