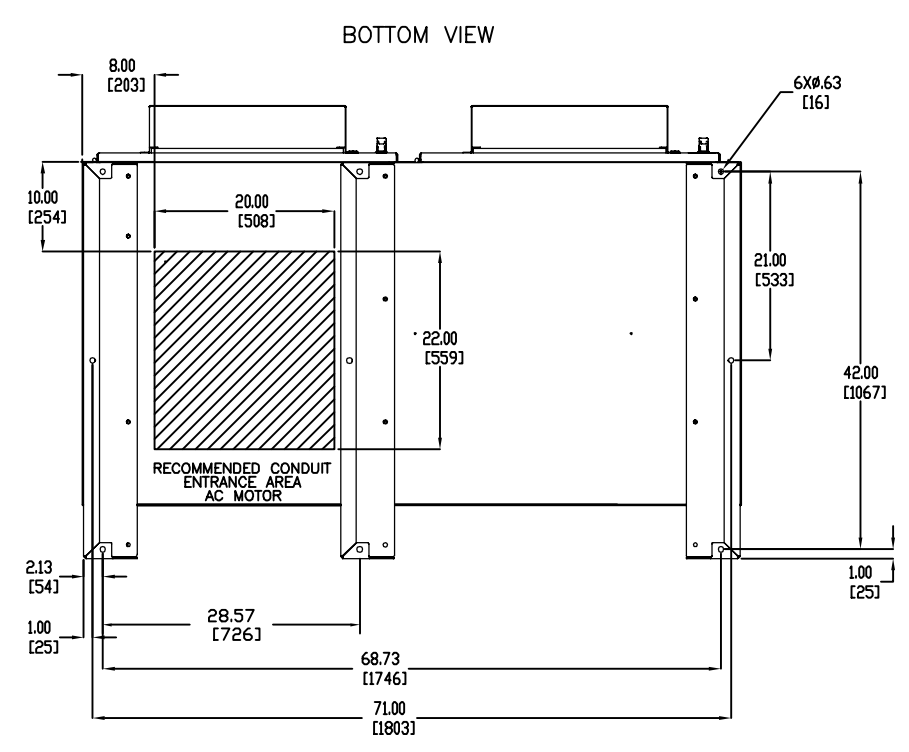
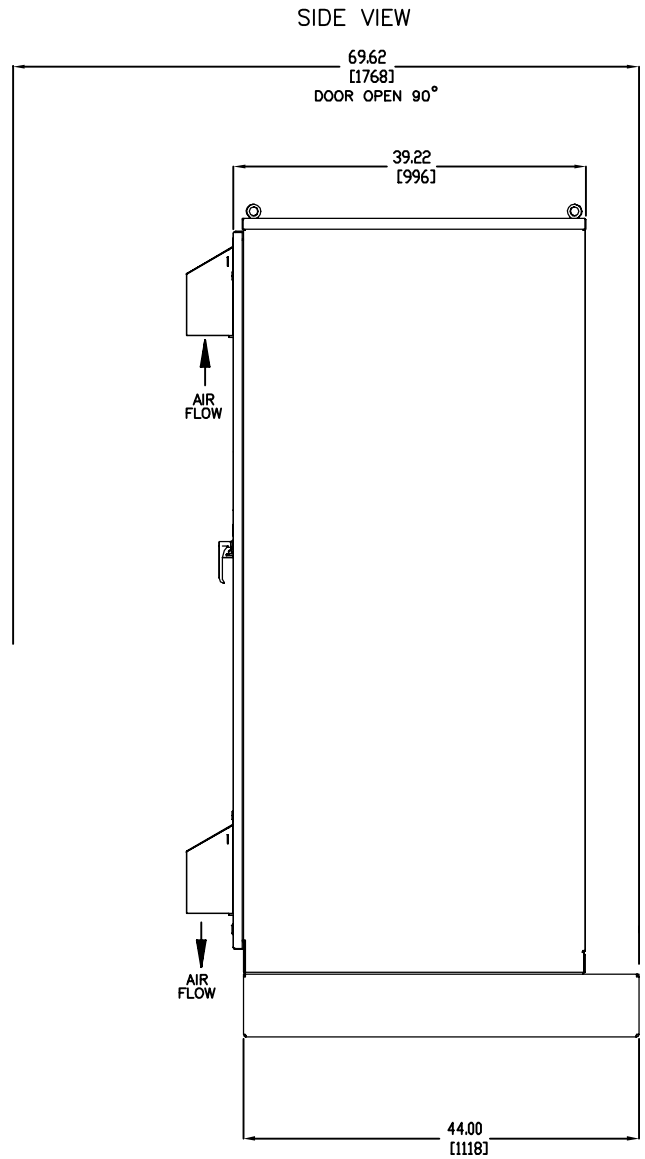
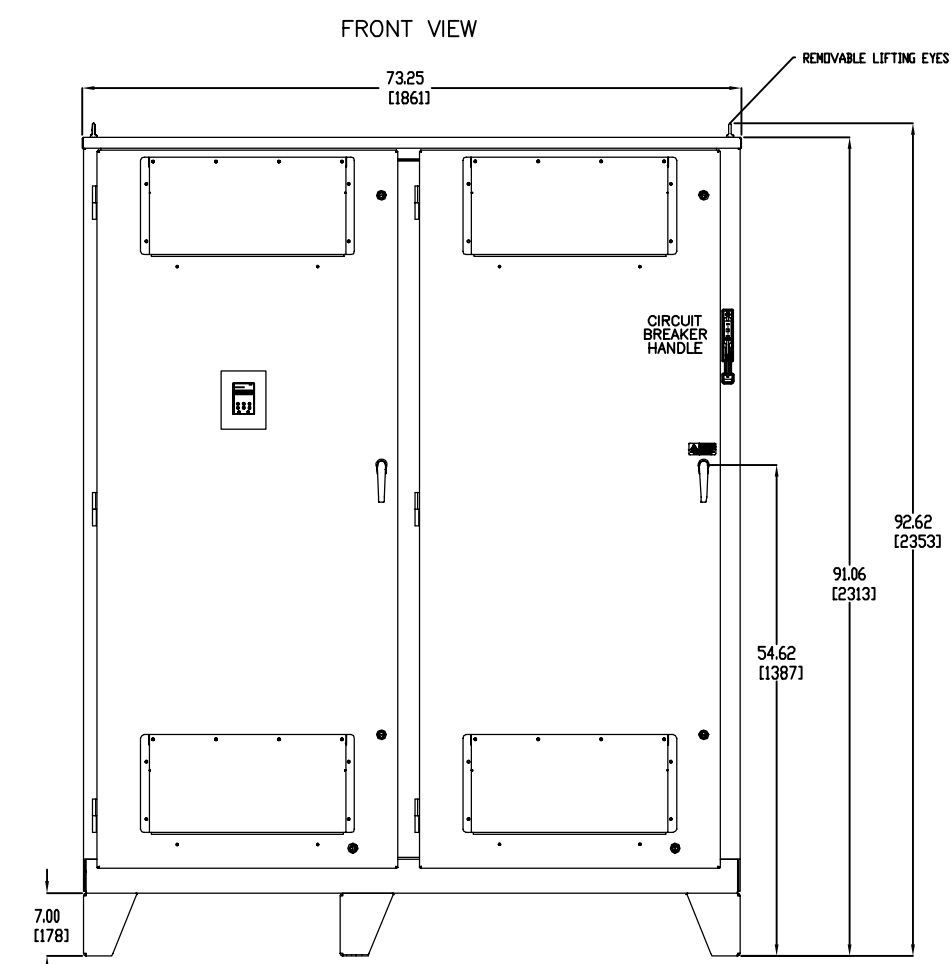
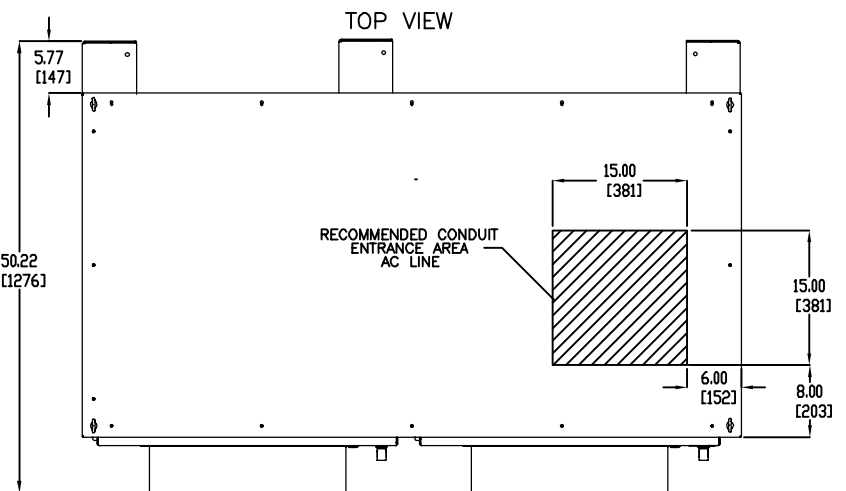


1 2 3 4 5 6 7 8 9 10 11 12 13 14 15 16

A  
B  
C  
D  
E  
F  
G  
H  
J  
K  
L  
M  
N  
P  
Q  
R  
S  
T  
U

A  
B  
C  
D  
E  
F  
G  
H  
J  
K  
L  
M  
N  
P  
Q  
R  
S  
T  
U



REVISIONS				
REV.	DESCRIPTION	ECO #	DRAWN BY	DATE
01	ADDED THIRD LEG TO ENCLOSURE	5448	NSL	8/5/14
00	INITIAL RELEASE	-	PS	12/9/13

	DRAWN BY: P. STOCKUS	DATE: 12/9/13	TITLE: OUTLINE DIAGRAM TYPE 3R F2 ENCLOSURE		
	CHECKED: D. TUMILSON	DATE: 12/9/13	TECH:	DATE:	
	APPROVED: P. STOCKUS	DATE: 12/9/13	ORIGINAL DESIGN: P. STOCKUS	DATE: 12/9/13	DRAWING #: Q1C3J156-50

THIS DOCUMENT AND INFORMATION CONTAINED IN IT ARE CONFIDENTIAL, AND CANNOT BE COPIED OR DISCLOSED IN WHOLE OR IN PART WITHOUT THE EXPRESS WRITTEN CONSENT OF YASKAWA AMERICA INC.

1 2 3 4 5 6 7 8 9 10 11 12 13 14 15 16