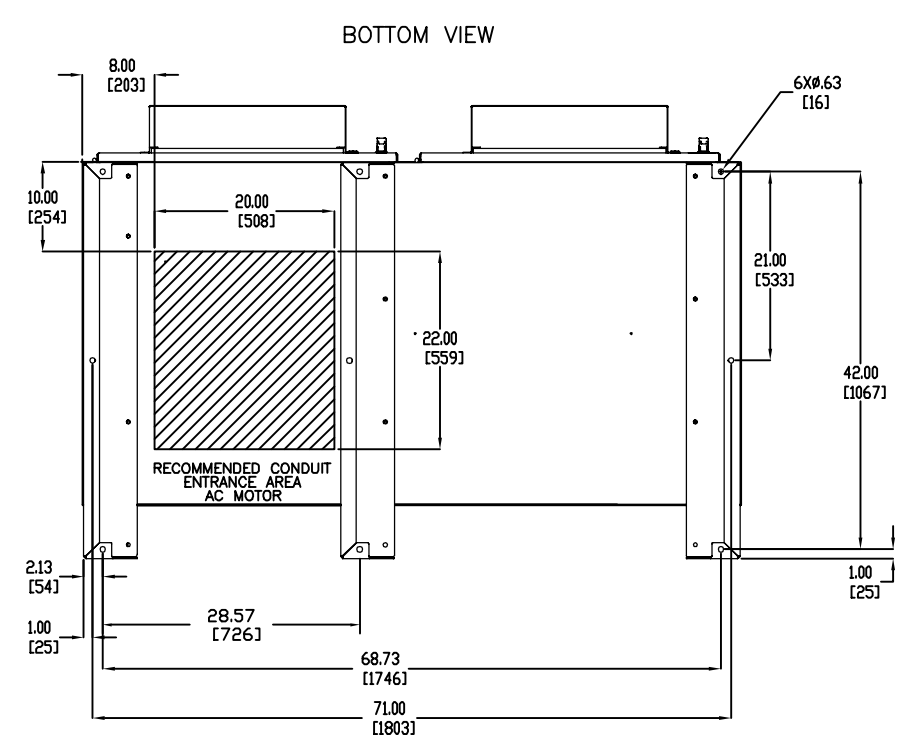
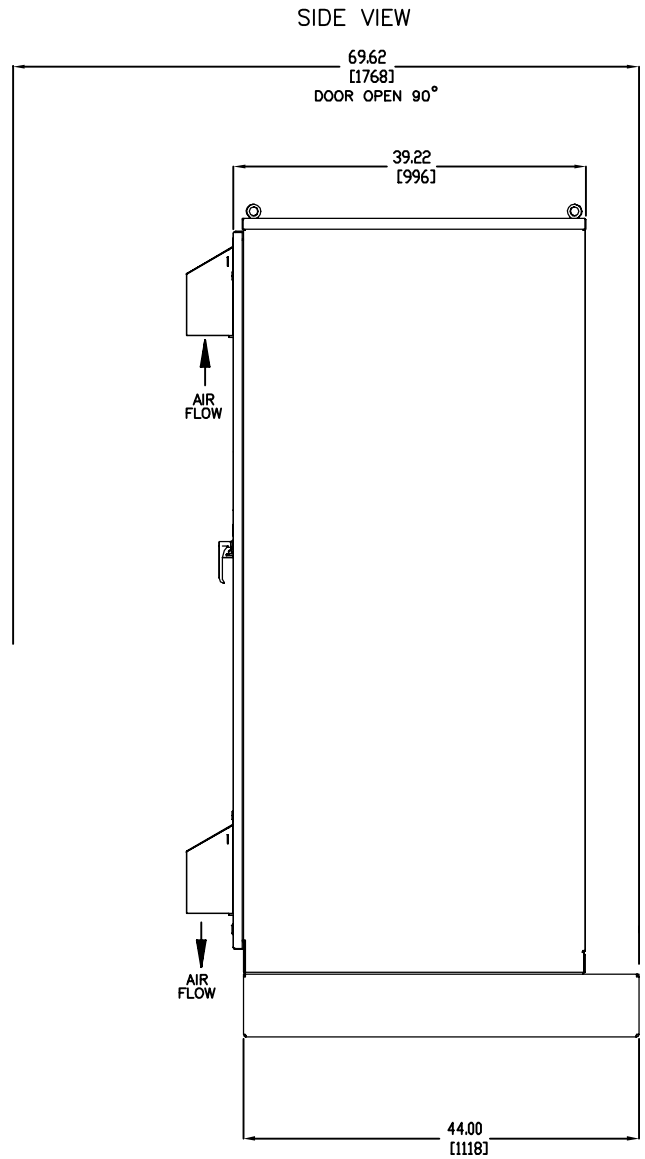
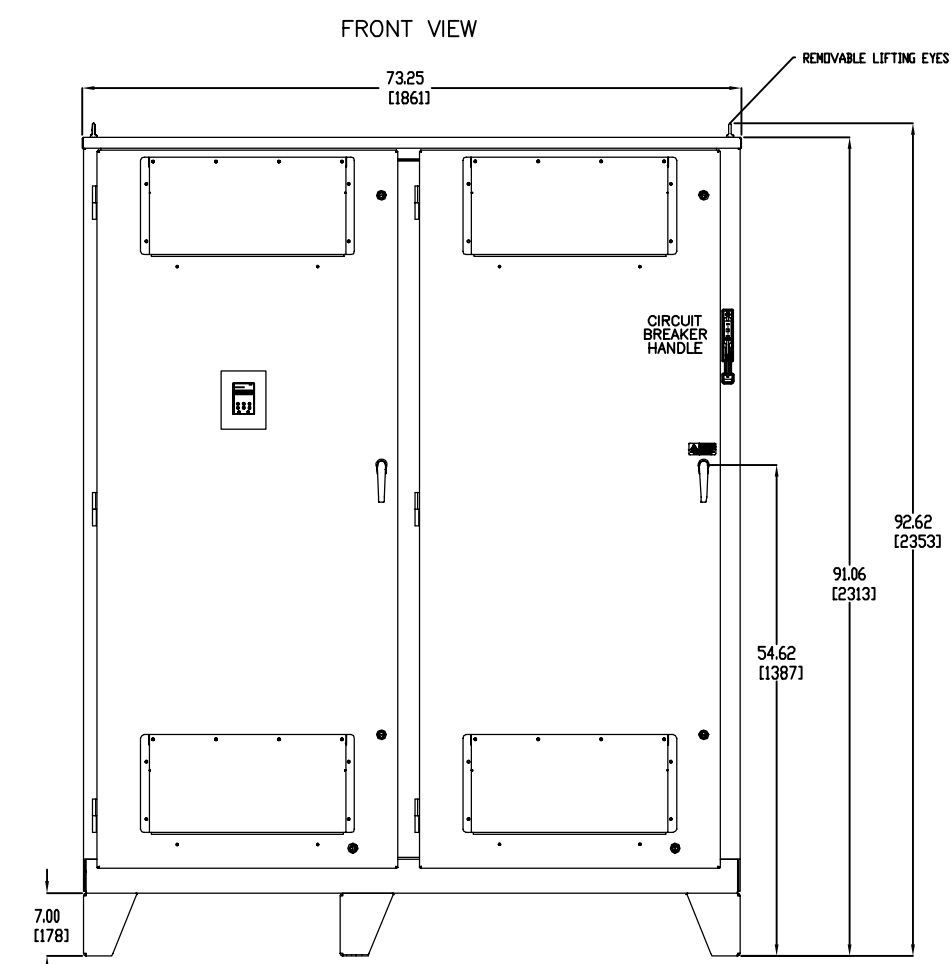
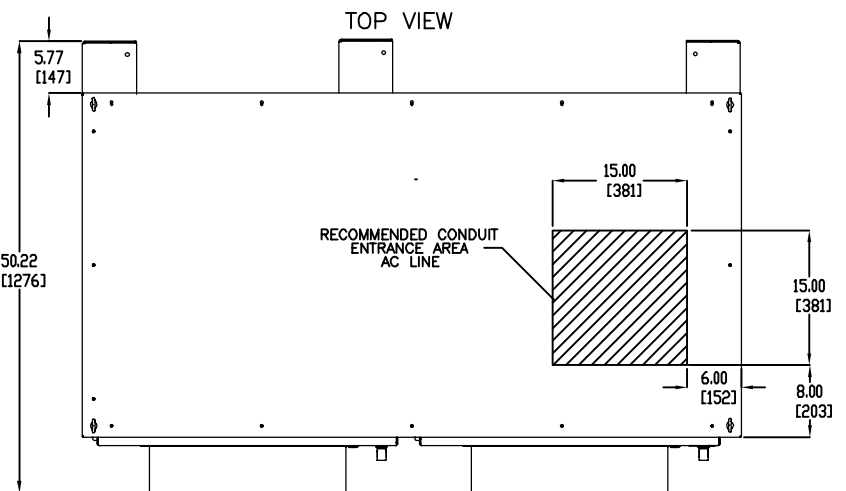


1 2 3 4 5 6 7 8 9 10 11 12 13 14 15 16

A B C D E F G H J K L M N P Q R S T U

A B C D E F G H J K L M N P Q R S T U



REVISIONS				
REV.	DESCRIPTION	ECO #	DRAWN BY	DATE
01	ADDED THIRD LEG TO ENCLOSURE	5448	NSL	8/11/14
00	INITIAL RELEASE	-	PS	12/9/13

	DRAWN BY: P. STOCKUS	DATE: 12/9/13	TITLE: OUTLINE DIAGRAM TYPE 3R F2 ENCLOSURE		
	CHECKED: D. TUMILSON	DATE: 12/9/13	TECH:	DATE:	
APPROVED: P. STOCKUS			DATE: 12/9/13	SIZE: C	REVISION: R01
ORIGINAL DESIGN: P. STOCKUS			DATE: 12/9/13	PAGE: 1 of 1	
			DRAWING #: Q1C3J180-50		

1 2 3 4 5 6 7 8 9 10 11 12 13 14 15 16