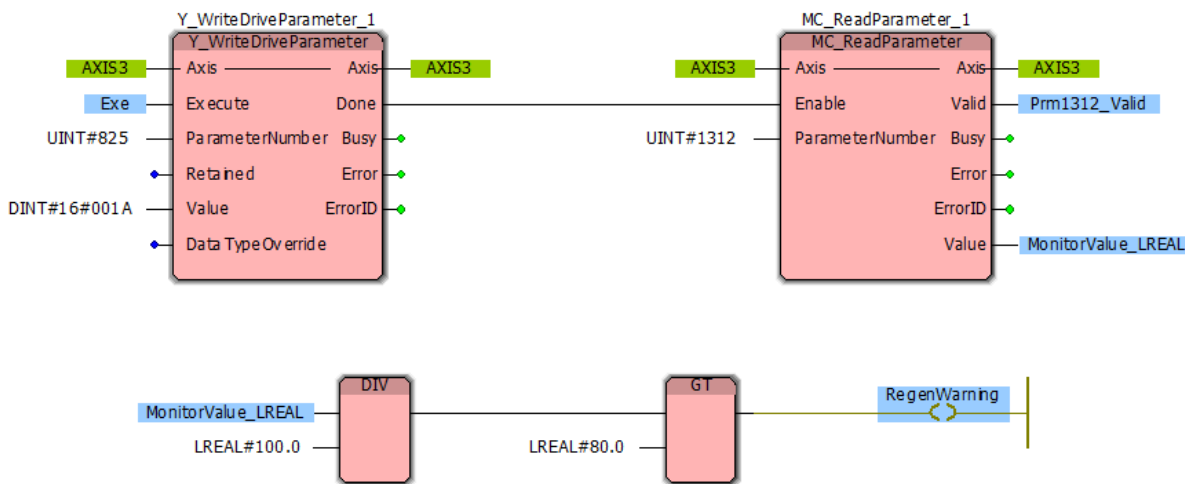


Example

The example code below will set BOOL variable "RegenWarning" to true if the Regenerative Load Ratio climbs to 80% or higher.

(*Writes value of 16#001A (Un00A: Regenerative Load Ratio [%]) to Pn825. The monitor data is written to Prm1312.*)

(*Reads Prm1312. The Value output is an LREAL but the data in Prm1312 is DINT, so data conversion may be required. If the Regenerative Load is at 63.45%, the MC_ReadParameter FB returns 6345.000.*)



(*Divide the Prm1312 value by 100 to get the correct percentage value, then compare it to 80.0. If the Prm1312 value is greater than 80.0, turn out the output.*)

Appendix

Pn825 Value	Prm1312	Units	Monitor Number	Notes
16#0010	Motor Speed	[rpm]	Un000	MC_ReadActualVelocity is a better option.
16#0011	Speed Reference	[rpm]	Un001	
16#0012	Torque Reference	[%]	Un002	MC_ReadActualTorque is a better option.
16#0013	Encoder Pulses from Origin	[pulse]	Un003	Pulses from origin within one revolution
16#0014	Rotational Angle	[deg]	Un004	Angle from origin within one revolution
16#0015	Input Sigma Monitor	-	Un005	
16#0016	Output Signal Monitor	-	Un006	
16#0017	Input Reference Speed	[rpm]	Un007	
16#0018	Position Error	[ref units]	Un008	
16#0019	Accumulated Load Ratio	[%]	Un009	
16#001A	Regenerative Load Ratio	[%]	Un00A	
16#001B	Dynamic Brake Resistor Power Consumption	[%]	Un00B	
16#001C	Input Ref. Pulse Counter	[ref units]	Un00C	
16#001D	Feedback Pulse Counter	[pulse]	Un00D	
16#001E	Full-Closed Loop Feedback Pulse Counter	[pulse]	Un00E	
16#0023	Initial Multiturn Data	[revs]	-	
16#0024	Initial Incremental Data	[pulse]	-	
16#0040	SERVOPACK Installation Environment Monitor	[%]	Un025	% of allowable ambient temperature.
16#0041	Servomotor Installation Environment Monitor	[%]	Un026	% of allowable ambient temperature ¹ .
16#0042	Built-In Fan Remaining Life Ratio	[%]	Un027	Percentage life remaining (9876=98.76%)

Pn825 Value	Prm1312	Units	Monitor Number	Notes
16#0043	Capacitor Remaining Life Ratio	[%]	Un028	Percentage life remaining (9876=98.76%)
16#0044	Surge Prevention Circuit Remaining Life Ratio	[%]	Un029	Percentage life remaining (9876=98.76%)
16#0045	Dynamic Brake Circuit Remaining Life Ratio	[%]	Un02A	Percentage life remaining (9876=98.76%)
16#0046	Instantaneous Power	[W]	Un032	
16#0047	Power Consumption	[.001 Wh]	Un033	12345 = 12.345 Wh
16#0048	Cumulative Power Consumption	[Wh]	Un034	

¹ SGM7J, SGM7A, SGM7P, SGM7G, and SGMCV motors only. The display will show 0 for all other models.