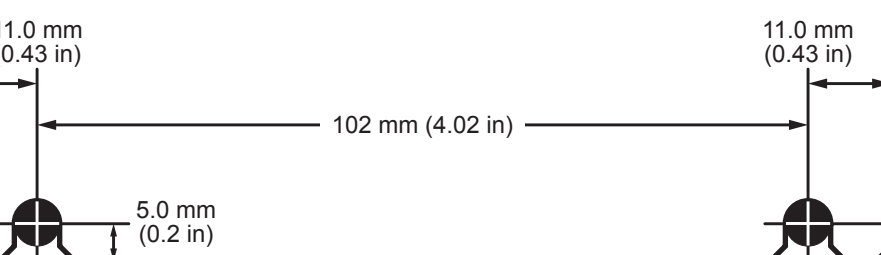
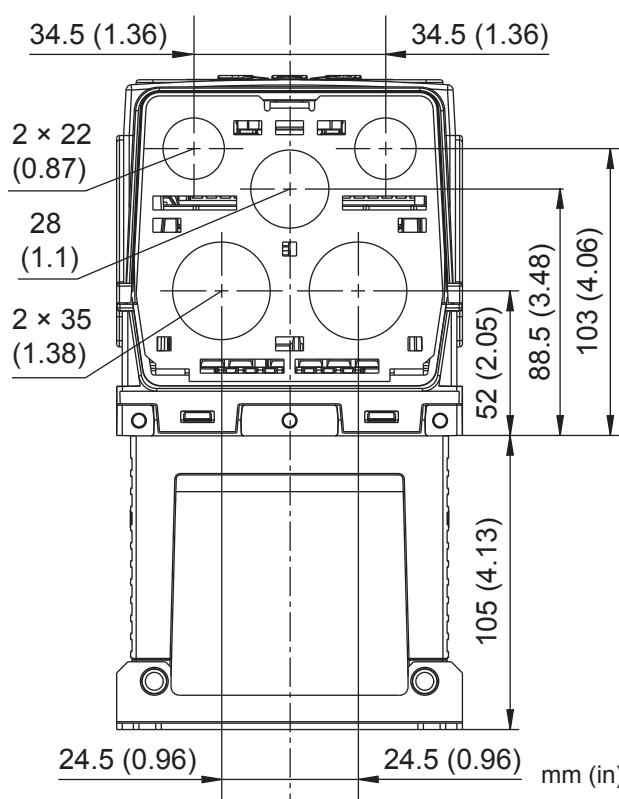
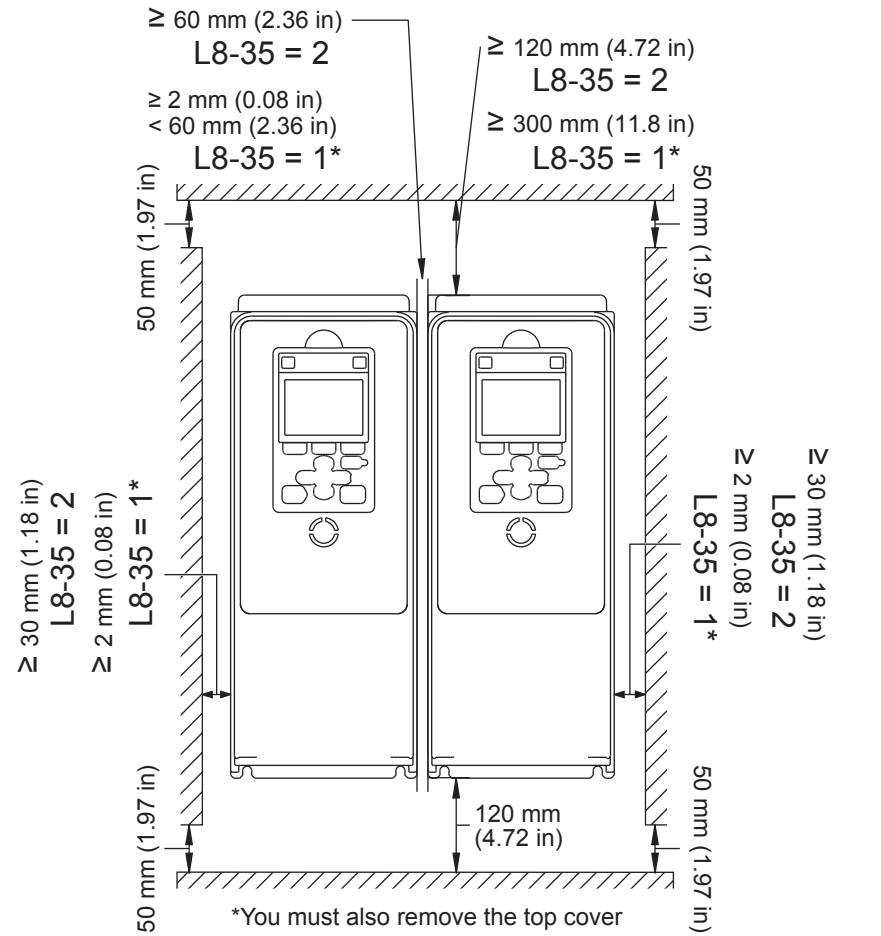


NOTICE
 Measure the printed dimensions before you drill the screw holes. Moisture can cause the template scale to change.

Drive Nameplate
 CC : xx6xxxxxxx
 MODEL :
 Applicable Catalog Codes:
 C/C: xx6xx2024xFx, xx6xx2031xFx
 xx6xx4021xFx to xx6xx4034xFx



YASKAWA
 Drilling Template
 TOEPC71061771C<2>-0
 Published in USA

