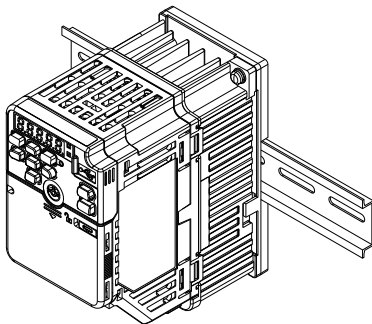


Yaskawa AC Drive Option DIN Rail Attachment Installation Manual

Model ZPZ-GA50Vx, EZZ08122D

To properly use the product, read this manual thoroughly and retain for easy reference, inspection, and maintenance. Ensure the end user receives this manual.



This Page Intentionally Blank

Table of Contents

1.	Receiving	5
	Applicable Documentation	5
	Glossary	5
2.	General Safety	5
	Supplemental Safety Information	5
	Section Safety	6
3.	Overview	7
	Compatible Products	7
	For Yaskawa Customers in the North or South America Regions	7
	Installation Environment	8
4.	Receiving	9
	Drive Model and Attachment	10
	Option Package Contents	11
5.	Option Dimensions	12
	Option Dimensions	13
6.	Installation Procedure	15
	Necessary Tools	15
	Attachment Models and Installation Procedure	15

Install the Attachment	16
Attach the Drive to the DIN Rail	18
Remove the Drive from the DIN Rail	18
Revision History	19

1 Receiving

◆ Applicable Documentation

Document	Description
Yaskawa AC Drive Option DIN Rail Attachment Installation Manual	Read this manual before you install this option to the drive. This manual gives information about how to install the option and attach the drive to a DIN rail.
Yaskawa AC Drive Manuals	For information about drive settings, refer to the manuals for the drive with which you are using this option. The manuals provide information about basic installation, wiring, operation procedures, functions, troubleshooting, and maintenance. The manuals also include important information about parameter settings and tuning the drive. You can download drive manuals from the Yaskawa product and technical information website shown on the back cover of this manual.

◆ Glossary

Terminology Used in this Document	Description
Drive	YASKAWA AC Drive GA500
Attachment, Option	Yaskawa Drive Option DIN Rail Attachment

2 General Safety

◆ Supplemental Safety Information

⚠ DANGER This signal word identifies a hazard that will cause serious injury or death if you do not prevent it.

⚠ WARNING This signal word identifies a hazard that can cause death or serious injuries if you do not prevent it.

⚠ CAUTION This signal word identifies a hazardous situation, which, if not avoided, can cause minor or moderate injury.

NOTICE This signal word identifies a property damage message that is not related to personal injury.

◆ Section Safety

General Precautions

- Some figures in the instructions include options and drives without covers or safety shields to more clearly show the inside of the drive. Replace covers and shields before operation. Use options and drives only as specified by the instructions.
- The figures in this manual are examples only. All figures do not apply to all products included in this manual.
- Yaskawa can change the products, specifications, and content of the instructions without notice to make the product and/or the instructions better.
- If you damage or lose these instructions, contact a Yaskawa representative or the nearest Yaskawa sales office on the rear cover of the manual, and tell them the document number on the front cover to order new copies.

⚠ DANGER *Electrical Shock Hazard. Do not examine, connect, or disconnect wiring on an energized drive. Before servicing, disconnect all power to the equipment and wait for the time specified on the warning label at a minimum. The internal capacitor stays charged after the drive is de-energized. The charge indicator LED extinguishes when the DC bus voltage decreases below 50 Vdc. When all indicators are OFF, measure for dangerous voltages to make sure that the drive is safe. If you do work on the drive when it is energized, it will cause serious injury or death from electrical shock.*

⚠ CAUTION *Burn Hazard. Do not touch a hot drive heatsink. De-energize the drive, wait for a minimum of 15 minutes, then make sure that the heatsink is cool before you replace the cooling fans. If you touch a hot drive heatsink, it can burn you.*

⚠ WARNING *Electrical Shock Hazard. Only let approved personnel install, wire, maintain, examine, replace parts, and repair the drive. If personnel are not approved, it can cause serious injury or death.*

⚠ WARNING *Sudden Movement Hazard. Tighten the screws to the specified tightening torque. Incorrect tightening torques can cause damage to equipment and cause serious injury or death from falling equipment.*

NOTICE

Damage to Equipment. When you touch the drive and circuit boards, make sure that you observe correct electrostatic discharge (ESD) procedures. If you do not follow procedures, it can cause ESD damage to the drive circuitry.

3 Overview

Use this option to attach the drive to a DIN rail.

This option will let you attach the drive to a DIN rail in the enclosure panel.

You can use this option when the installation environment of the drive meets the specifications shown in *Installation Environment on page 8*.

◆ Compatible Products

This installation kit is compatible with these drives:

- GA500

■ For Yaskawa Customers in the North or South America Regions

If your drive series is not shown in the “Compatible Products” section, refer to the web page below to confirm that your drive is compatible with this option. The web page shows a list of drives and compatible options, and also directs you to the correct installation manual and installation procedure for your drive.

Refer to the URL or scan QR code:



<https://www.yaskawa.com/products/option-lookup>

◆ Installation Environment

The installation environment is important for the lifespan of the product and to make sure that the drive performance is correct. Make sure that the installation environment agrees with these specifications.

Environment	Conditions
Area of Use	Indoors
Power Supply	Overvoltage Category III (IEC60664)
Ambient Temperature Setting	IP20/UL Open Type: -10 °C to +50 °C (14 °F to 122 °F) IP20/UL Type1: -10 °C to +40 °C (14 °F to 104 °F) <ul style="list-style-type: none"> • Drive reliability is better in environments that do not have wide temperature fluctuations. • When installing the drive in an enclosure, use a cooling fan or air conditioner to keep the internal air temperature in the permitted range. • Do not let the drive freeze.
Humidity	95%RH or less Do not let condensation form on the drive.
Storage Temperature	-20 °C to +70 °C (-4 °F to +158 °F) (short-term temperature during transportation)
Surrounding Area	Pollution degree 2 or less (IEC 60664-1) Install the drive in an area without: <ul style="list-style-type: none"> • Oil mist, corrosive or flammable gas, or dust • Metal powder, oil, water, or other unwanted materials • Radioactive or flammable materials. • Harmful gas or fluids • Salt • Direct sunlight Keep wood and other flammable materials away from the drive.
Altitude	1000 m (3281 ft) Maximum

Environment	Conditions
	<p>Note:</p> <p>Derate the output current by 1% for each 100 m (328 ft) to install the drive in altitudes between 1000 to 4000 m (3281 to 13123 ft).</p> <p>It is not necessary to derate the rated voltage in these conditions:</p> <ul style="list-style-type: none"> • Installing the drive at 2000 m (6562 ft) or lower • Installing the drive between 2000 to 4000 m (6562 to 13123 ft) and grounding the neutral point on the power supply. Contact Yaskawa or your nearest sales representative when not grounding the neutral point.
Vibration	<ul style="list-style-type: none"> • 10 Hz to 20 Hz: 0.6 G (5.9 m/s², 19.36 ft/s²) • 20 Hz to 55 Hz: 0.2 G (2.0 m/s², 6.56 ft/s²)
Installation Orientation	Install the drive vertically for sufficient airflow to cool the drive.

NOTICE Do not put drive peripheral devices, transformers, or other electronics near the drive. Shield the drive from electrical interference if components must be near the drive. Components near the drive can cause incorrect drive operation from electrical interference.

NOTICE Do not let unwanted objects, for example metal shavings or wire clippings, fall into the drive during drive installation. Put a temporary cover over the drive during installation. Remove the temporary cover before start-up. Unwanted objects inside of the drive can cause damage to the drive.

4 Receiving

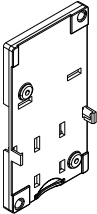

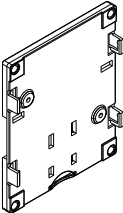

1. Examine the products for damage.
If there is damage to the products, contact the shipping company immediately. The Yaskawa warranty does not include damage from shipping.
2. Verify the product model number to make sure that you received the correct model.
If you have problems with the products, contact the distributor where you purchased the products or the Yaskawa sales office immediately.

◆ Drive Model and Attachment

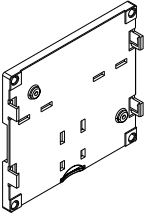

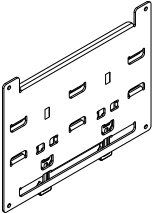

Table 4.1 Drive Model and Attachment

Drive Model			Attachment Model
Three-Phase 200 V Class	Single-Phase 200 V Class	Three-Phase 400 V Class	
2001, 2002, 2004, 2006	B001, B002, B004	-	ZPZ-GA50V1
2008, 2010, 2012	B006, B010	4001, 4002, 4004, 4005, 4007, 4009	ZPZ-GA50V2
2018, 2021	B012	4012	ZPZ-GA50V3
-	B018	-	EZZ08122D

◆ Option Package Contents

Model	Attachment	Mounting Screw
ZPZ-GA50V1	 <p>#1</p>	 <p>3 × 8 tapping screw: #2</p>
ZPZ-GA50V2	 <p>#1</p>	 <p>3 × 8 tapping screws: 2</p>

5 Option Dimensions

Model	Attachment	Mounting Screw
ZPZ-GA50V3	 <p>#1</p>	 <p>3 × 8 tapping screw: #2</p>
EZZ08122D	 <p>#1</p>	 <p>M4 × 12 pan head screws: #4</p>

5 Option Dimensions

Table 5.1 Attachment Model and Exterior Dimensions

Drive Model			Attachment Model	Reference
Three-Phase 200 V Class	Single-Phase 200 V Class	Three-Phase 400 V Class		
2001, 2002, 2004, 2006	B001, B002, B004	-	ZPZ-GA50V1	Figure 5.1
2008, 2010, 2012	B006, B010	4001, 4002, 4004, 4005, 4007, 4009	ZPZ-GA50V2	Figure 5.2

Drive Model			Attachment Model	Reference
Three-Phase 200 V Class	Single-Phase 200 V Class	Three-Phase 400 V Class		
2018, 2021	B012	4012	ZPZ-GA50V3	Figure 5.3
-	B018	-	EZZ08122D	Figure 5.4

◆ Option Dimensions

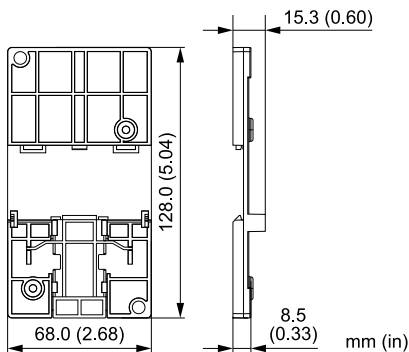


Figure 5.1 Dimensions Diagram 1

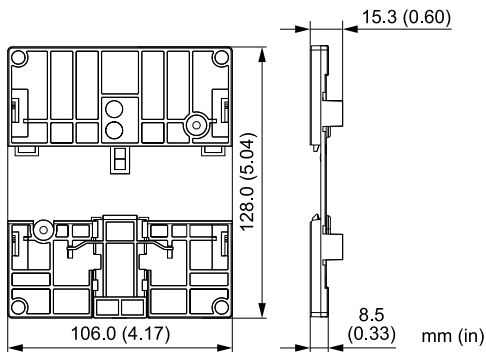


Figure 5.2 Dimensions Diagram 2

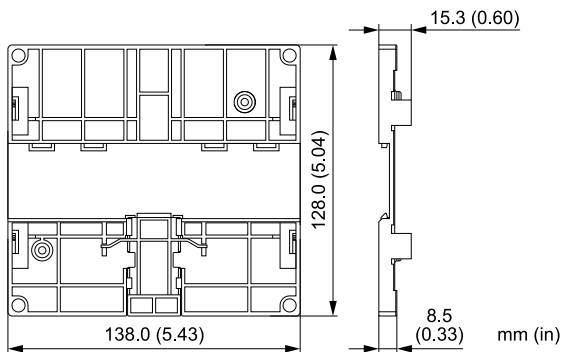


Figure 5.3 Dimensions Diagram 3

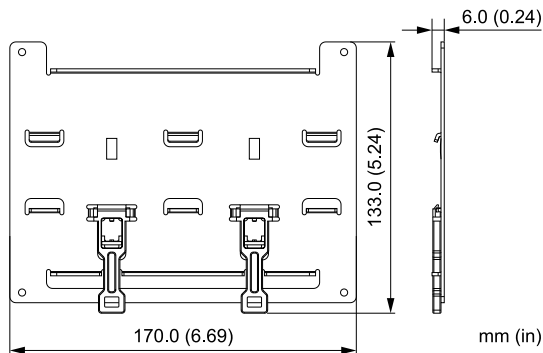


Figure 5.4 Dimensions Diagram 4

6 Installation Procedure

◆ Necessary Tools

To install the attachment, use a Phillips screwdriver #2.

◆ Attachment Models and Installation Procedure

⚠ CAUTION *Crush Hazard. Tighten terminal cover screws and hold the case safely when you move the drive. If the drive or covers fall, it can cause moderate injury.*

The installation procedure is different for different drive models. Refer to [Table 6.1](#).

Table 6.1 Attachment Installation Procedure

Drive Model			Attach ment Model	Procedure	Reference
Three- Phase 200 V Class	Single- Phase 200 V Class	Three- Phase 400 V Class			
2001, 2002, 2004, 2006	B001, B002, B004	-	ZPZ- GA50V1	Procedure A	16

Drive Model			Attach ment Model	Procedure	Reference
Three- Phase 200 V Class	Single- Phase 200 V Class	Three- Phase 400 V Class			
2008, 2010, 2012	B006, B010	4001, 4002, 4004, 4005, 4007, 4009	ZPZ- GA50V2		
2018, 2021	B012	4012	ZPZ- GA50V3		
-	B018	-	EZZ08122D	Procedure B	16

■ Install the Attachment

Install the Attachment (Procedure A)

Install the attachment on the drive heatsink.

Tighten the screws to a correct tightening torque:

- 3 × 8 tapping screw: 0.98 to 1.33 N·m (8.67 to 11.77 in·lb)

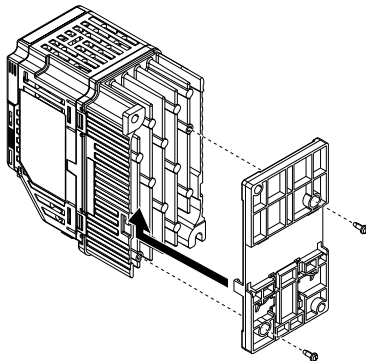


Figure 6.1 Install the Attachment

Install the Attachment (Procedure B)

Install the attachment on the drive heatsink.

Tighten the screws to a correct tightening torque:

- M4 × 12 pan head screw: 0.98 to 1.33 N·m (8.67 to 11.77 in·lb)

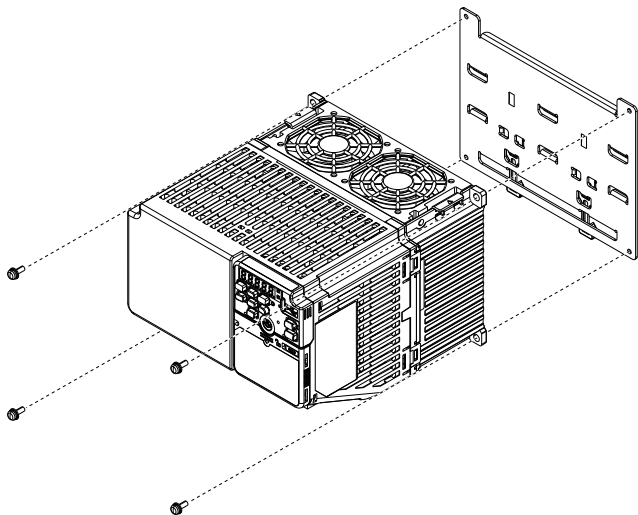


Figure 6.2 Install the Attachment

■ Attach the Drive to the DIN Rail

Put the hook of the attachment on the DIN rail and push the drive until the hook clicks into place on the DIN rail.

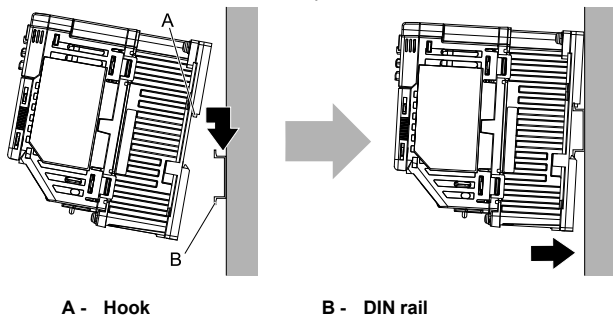


Figure 6.3 Attach the Drive to the DIN Rail

■ Remove the Drive from the DIN Rail

Pull down on the hook of the attachment and pull the drive forward to remove it.

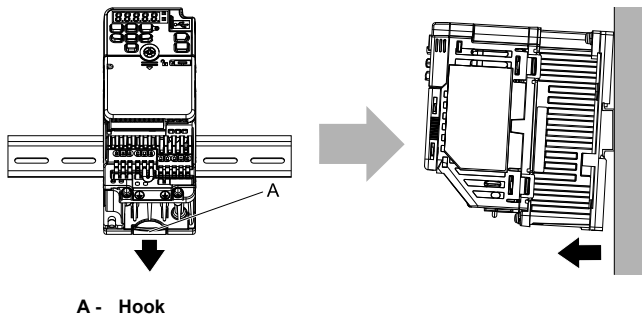


Figure 6.4 Remove the Drive from the DIN Rail

Revision History

Date of Publication	Revision Number	Section	Revised Content
May 2022	1	3	Addition: For Yaskawa Customers in the North or South America Regions
February 2019	-	-	First Edition

Yaskawa AC Drive Option DIN Rail Attachment Installation Manual

DRIVE CENTER (INVERTER PLANT)

2-13-1, Nishimiyaichi, Yukuhashi, Fukuoka,
824-8511, Japan
Phone: +81-930-25-2548 Fax: +81-930-25-3431
www.yaskawa.co.jp

YASKAWA ELECTRIC CORPORATION

New Pier Takeshiba South Tower, 1-16-1, Kaigan,
Minatoku, Tokyo, 105-6891, Japan
Phone: +81-3-5402-4502 Fax: +81-3-5402-4580
www.yaskawa.co.jp

YASKAWA AMERICA, INC.

2121, Norman Drive South, Waukegan, IL 60085, U.S.A.
Phone: +1-800-YASKAWA (927-5292) or +1-847-887-7000
Fax: +1-847-887-7310
www.yaskawa.com

YASKAWA ELÉTRICO DO BRASIL LTDA.

777, Avenida Piraporinha, Diadema, São Paulo,
09950-000, Brasil
Phone: +55-11-3585-1100 Fax: +55-11-3585-1187
www.yaskawa.com.br

YASKAWA EUROPE GmbH

Hauptstraße 185, 65760 Eschborn, Germany
Phone: +49-6196-569-300 Fax: +49-6196-569-398
www.yaskawa.eu.com
E-mail: info@yaskawa.eu.com

YASKAWA ELECTRIC KOREA CORPORATION

18F, Hi Investment & Securities Building, 66 Yeoui-daero,
Yeongdeungpo-gu, Seoul, 07325, Korea
Phone: +82-2-784-7844 Fax: +82-2-784-8495
www.yaskawa.co.kr

YASKAWA ASIA PACIFIC PTE. LTD.

30A, Kallang Place, #06-01, 339213, Singapore
Phone: +65-6282-3003 Fax: +65-6289-3003
www.yaskawa.com.sg

YASKAWA ELECTRIC (THAILAND) CO., LTD.

59, 1F-5F, Flourish Building, Soi Ratchadapisek 18,
Ratchadapisek Road, Huaykwang, Bangkok, 10310,
Thailand
Phone: +66-2-017-0099 Fax: +66-2-017-0799
www.yaskawa.co.th

YASKAWA ELECTRIC (CHINA) CO., LTD.

22F, Link Square 1, No.222, Hubin Road, Shanghai,
200021, China
Phone: +86-21-5385-2200 Fax: +86-21-5385-3299
www.yaskawa.com.cn

YASKAWA ELECTRIC (CHINA) CO., LTD. BEIJING OFFICE

Room 1011, Tower W3 Oriental Plaza, No. 1,
East Chang An Avenue,
Dong Cheng District, Beijing, 100738, China
Phone: +86-10-8518-4086 Fax: +86-10-8518-4082

YASKAWA ELECTRIC TAIWAN CORPORATION

12F, No. 207, Section 3, Beishin Road, Shindian District,
New Taipei City 23143, Taiwan
Phone: +886-2-8913-1333
Fax: +886-2-8913-1513 or +886-2-8913-1519
www.yaskawa.com.tw

YASKAWA INDIA PRIVATE LIMITED

#17/A, Electronics City, Hosur Road, Bengaluru,
560 100 (Karnataka), India
Phone: +91-80-4244-1900 Fax: +91-80-4244-1901
www.yaskawaindia.in

YASKAWA

YASKAWA ELECTRIC CORPORATION

In the event that the end user of this product is to be the military and said product is to be employed in any weapons systems or the manufacture thereof, the export will fall under the relevant regulations as stipulated in the Foreign Exchange and Foreign Trade Regulations. Therefore, be sure to follow all procedures and submit all relevant documentation according to any and all rules, regulations and laws that may apply.

Specifications are subject to change without notice for ongoing product modifications and improvements.

© 2019 YASKAWA Electric Corporation



TOEPC72060004

MANUAL NO. TOEP C720600 04A <1>-0
Published in Japan May 2022
22-3-23