

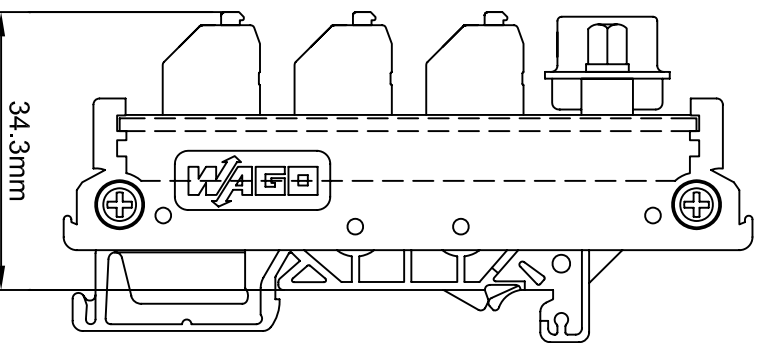
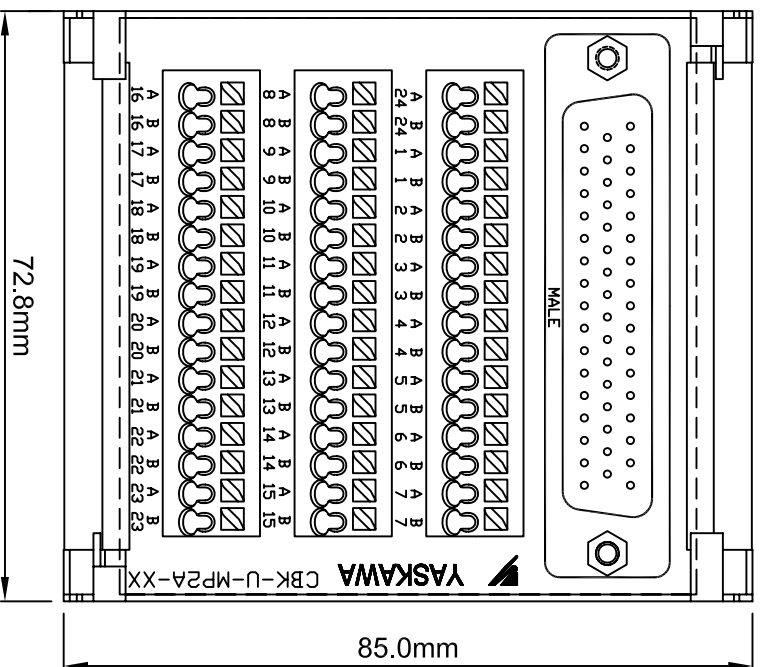
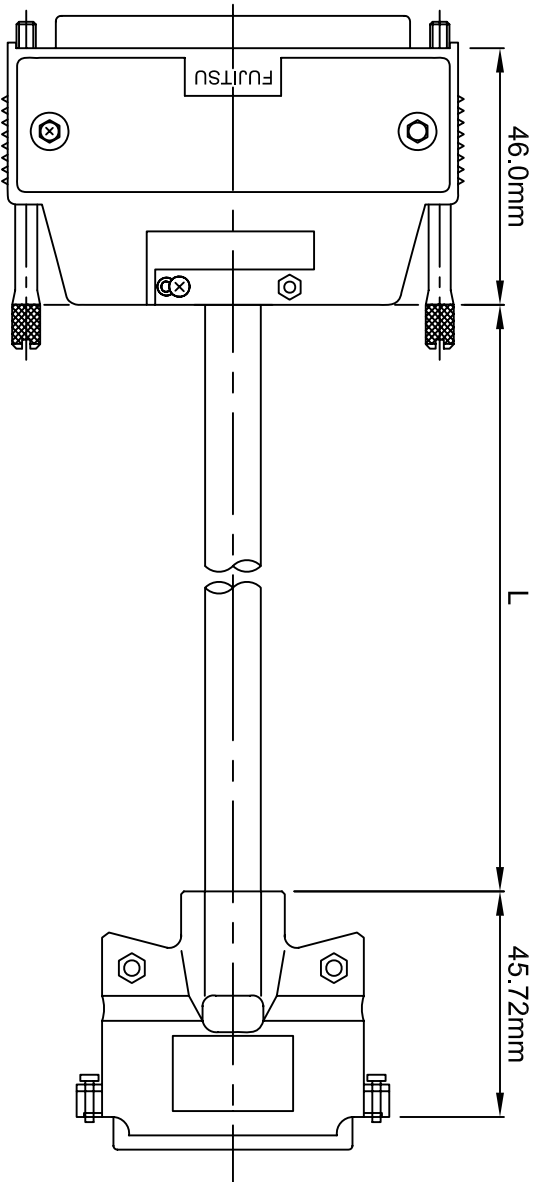
YASKAWA MODULE SIDE

CABLE SPECIFICATION (mm)	
OUTER DIAMETER	8.1 +/- 0.1mm
BENDING RADIUS	10 x O.D. FOR LONG TERM RELIABILITY

TERMINAL BLOCK SIDE

TERMINAL BLOCK & CABLE KIT ITEM #S

ITEM#	DESCRIPTION	L = LENGTH (mm)
CBK-U-MP2A-01(A)	I/O CABLE W/TERMINAL BLOCK, L= 1 M	1000 +/- 38.1

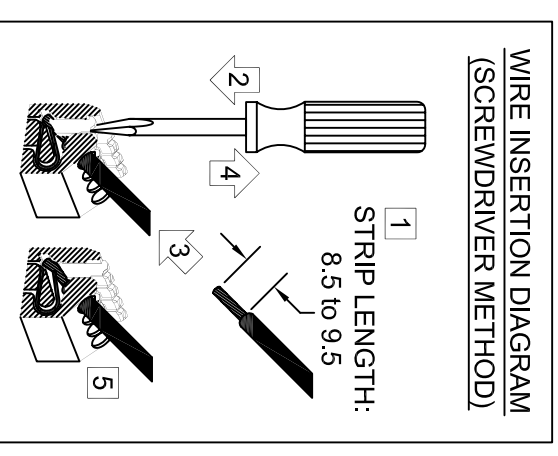
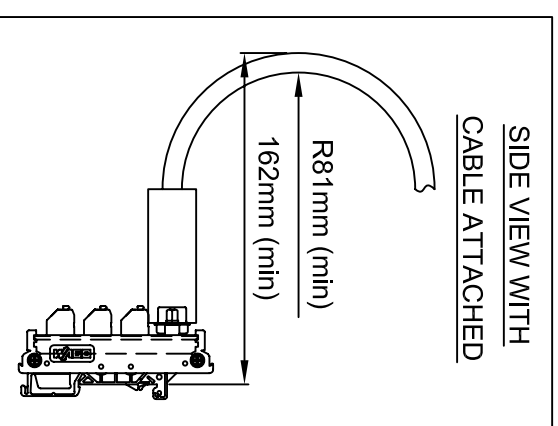


KIT BILL OF MATERIALS

ITEM#	DESCRIPTION	QTY
1	CABLE	1
2	TERMINAL BLOCK	1
3	YASKAWA INSTRUCTION SHEET (UDA00686)	1

NOTES:

- 1) TERMINAL BLOCK WIRE STRIP LENGTH = 8.5 TO 9.5mm
 - 2) TERMINAL BLOCK WIRE SIZE = 16AWG - 24AWG SOLID OR STRANDED.
 - 3) SOLID WIRES AND WIRES WITH FERRULES CAN BE INSERTED DIRECTLY INTO THE TERMINALS WITHOUT THE NEED TO ACTUATE THE TERMINAL BUTTON.
 - 4) FOR STRANDED WIRES THE TERMINAL BUTTON MUST BE ACTUATED WITH A 1/8" WIDE FLAT BLADE SCREWDRIVER OR WITH A WAGO OPERATING TOOL (210-719, 210-720, OR 250-667).
 - 5) TERMINAL BLOCK MOUNTS TO DIN 35 RAIL.
 - 6) TERMINAL BUTTON ACTUATION FORCE = BETWEEN 3 lbf AND 8 lbf FOR THE SPRING TO BE FULLY ACTUATED.
- WARNING - DAMAGE MAY OCCUR IF MORE THAN 40 lbf IS APPLIED TO THE TERMINAL BUTTON.**



REV	DESCRIPTION	EC#	DRAWN BY	DATE
-	-	-	-	-
-	-	-	-	-
-	-	-	-	-
-	-	-	-	-
-	-	-	-	-
0	INITIAL RELEASE	2010-715	-	-

SEE PAGE 2/2 FOR CBK-U-MP2A-01(A) FUNCTIONALITY INFORMATION

MATERIAL:	TOLERANCES/REFERENCES:
N/A	UNLESS OTHERWISE SPECIFIED
SPEC: N/A	
FINISH: N/A	
MODEL(S): SEE CHART	
REF DIM(S): UDA00452 (0), UDA00675 (1)	

DATE	DATE	TITLE
11/18/10	11/23/10	CBK-U-MP2A-01(A) TERMINAL BLOCK & CABLE KIT INSTRUCTIONS
11/23/10	11/23/10	

DRAWN:	DATE	ITEM #
E. SONDERMAN	11/18/10	11/23/10
C. KINTNER	11/23/10	11/23/10
D. LEE	11/23/10	11/23/10
M. MORAN	11/23/10	11/23/10

SIZE	PAGE
B	1 of 2

UDA00686

CBK-U-MP2A-01(A) FUNCTIONALITY CHART:

Pin Number	Signal	Function
A1	PA	Phase-A pulse (+)
B1	PAL	Phase-A pulse (-)
A2	PB	Phase-B pulse (+)
B2	PBL	Phase-B pulse (-)
A3	PC	Phase-C latch pulse (+)
B3	PCL5	Phase-C latch pulse (-) for 5vdc input
A4	GND	Encoder input ground
B4	PCL12	Phase-C latch pulse (-) for 12vdc input
A5	DO_COM	Output 0V common
B5	DO_COM	Output 0V common
A6	DO_24V	Digital output +24V supply
B6	DO_24V	Digital output +24V supply
A7	DO_15	Output 15
B7	DO_14	Output 14
A8	DO_13	Output 13
B8	DO_12	Output 12
A9	DO_11	Output 11
B9	DO_10	Output 10
A10	DO_09	Output 9
B10	DO_08	Output 8
A11	DO_07	Output 7
B11	DO_06	Output 6
A12	DO_05	Output 5
B12	DO_04	Output 4
A13	DO_03	Output 3
B13	DO_02	Output 2
		Output 1
A14	DO_01	(Shared with position agreement 'COIN' signal)
B14	DO_00	Output 0
A15	DI_15	Input 15
B15	DI_14	Input 14
A16	DI_13	Input 13
B16	DI_12	Input 12
A17	DI_11	Input 11
B17	DI_10	Input 10
A18	DI_09	Input 9
B18	DI_08	Input 8
A19	DI_07	Input 7
B19	DI_06	Input 6
A20	DI_05	Input 5
B20	DI_04	Input 4
A21	DI_03	Input 3
B21	DI_02	Input 2
		Input 1
A22	DI_01	(Shared with pulse latch input)
B22	DI_00	Input 0
A23	DI_COM0	Input common 0
B23	DI_COM1	Input common 1
A24	FG	Frame ground
B24	FG	Frame ground

*TWISTED PAIRS	
A1 - B1	
A2 - B2	
A3 - B3	

MATERIAL:		TOLERANCES / REFERENCES:		 <p>THIS DOCUMENT AND INFORMATION CONTAINED HEREIN ARE CONFIDENTIAL AND CANNOT BE COPIED OR DISCLOSED IN WHOLE OR IN PART WITHOUT THE EXPRESS WRITTEN CONSENT OF YASKAWA AMERICA INC.</p>	
N/A		UNLESS OTHERWISE SPECIFIED			
N/A					
N/A					
FINISH:		UNITS:	SCALE:	DRAWN:	DATE:
N/A		mm	NTS	E. SONDERMAN	11/18/10
MODEL(S):				CHECKED:	DATE:
SEE CHART				C. KINTNER	11/23/10
REF DWG(S):				APPROVED:	DATE:
UDA00452 (0), UDA00675 (1)				M. MORAN	11/23/10
				ORIGINAL DESIGN:	DATE:
TITLE:		DRAWING #:		PAGE	
CBK-U-MP2A-01(A) TERMINAL BLOCK & CABLE KIT INSTRUCTIONS		UDA00686		2 of 2	

REV	DESCRIPTION	EC#	DRAWN BY	DATE
-		-	-	-
-		-	-	-
-		-	-	-
-		-	-	-
-		-	-	-
0	INITIAL RELEASE	2010-715	-	-