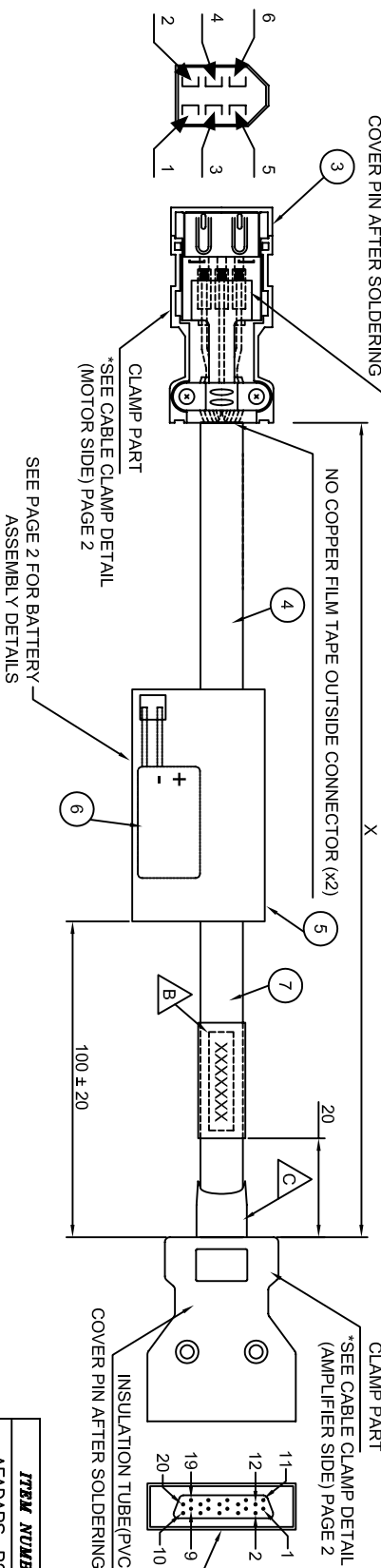


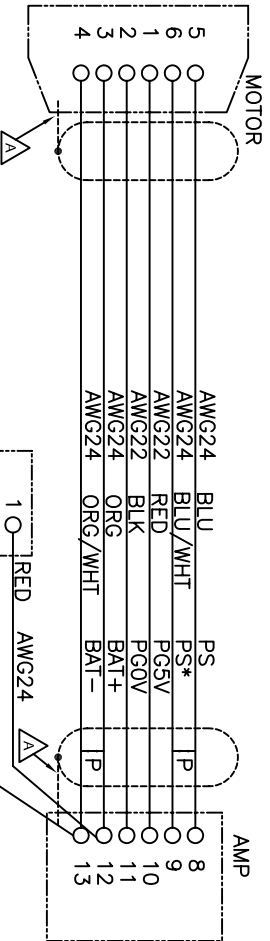
No.	ITEM#	DESCRIPTION	QTY.	NOTES
1	10120-3000VE	CONNECTOR	1	3M
2	10320-52A0-008	HOOD	1	3M
3	JZSP-CMP-9-2	CONNECTOR, MFG#: 54280-0800	1	MOLEX
4	TJ20276-SB	CABLE, 22AWG X2C, 24AWG X2P, SHIELDED	-	TAMO
5	JUSP-BA01	BATTERY CASE	1	YEC
6	JZSP-BA01	BATTERY, (MFG# ER3V/3.6V)	1	YEC (YOSHIBA)
7	HEATSHRINK	BLACK POLYOLEFIN HEATSHRINK	-	
8	RED WIRE	24AWG UL1007 RED	-	
9	BLACK WIRE	24AWG UL1007 BLACK	-	
10	DF-3-3S-2C	CONNECTOR	1	HIROSE ELECTRIC
11	DF-3-2429SC	CONTACT (GRIMP)	2	HIROSE ELECTRIC



ITEM NUMBER	X = LENGTH
AFADABS-P2(A)	0.2 m

YASKAWA
"ITEM NUMBER" ("REV")
"VENDOR CODE" "MM/YY"

- NOTES:**
- A CONNECT SHIELD TO CONNECTOR SHELL
 - B YASKAWA INFORMATION LABEL:
 - C ADD APPROPRIATE HEAT SHRINK TUBE, USE GROMMET IF NEEDED.
 - D USING AUTOMATED OR MANUAL CABLE TESTER, VERIFY ALL CONNECTIONS, AND VERIFY THAT EACH WIRE OR TERMINATION IS NOT SHORTED TO ANY OTHER WIRE OR TERMINATION UNLESS INTENDED TO BE ELECTRICALLY CONNECTED. ALL WIRES OR TERMINATIONS SHALL BE ISOLATED FROM ALL OTHER WIRES OR TERMINATIONS BY A MINIMUM OF 10 MEGOHM AT 50VDC. RECORDS OF TEST MUST BE MAINTAINED AND PROVIDED UPON REQUEST.
 - E CONDUCT HI-POT TEST AT 800 VAC FOR 1 SECOND.
 (NOTE: LEAK CURRENT = 20 mA)



CABLE SPECIFICATION (mm)	
OUTER DIAMETER	6.5
BENDING RADIUS	N/A
STANDARD	UL/CE
UL/IP CLASSIFICATION	
CONNECTOR (1)	UL94V-0
CONNECTOR (2)	UL94V-0

DESIGNER	D. GREULUOCH	DATE	4/06/06
CHKD	N.HOUCK	FINISH	N/A
TECH	-	TOLERANCES/REFERENCES	USCS000002
APPR	C.KINTNER	DATE	5/2/06

YASKAWA
The Drive for Quality™

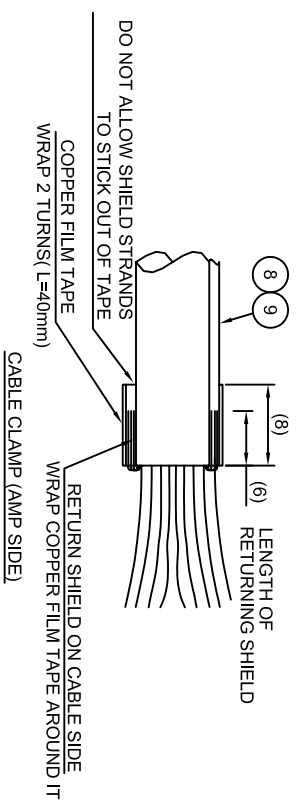
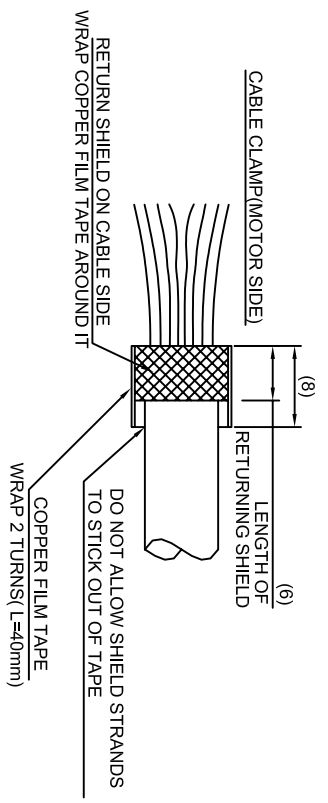
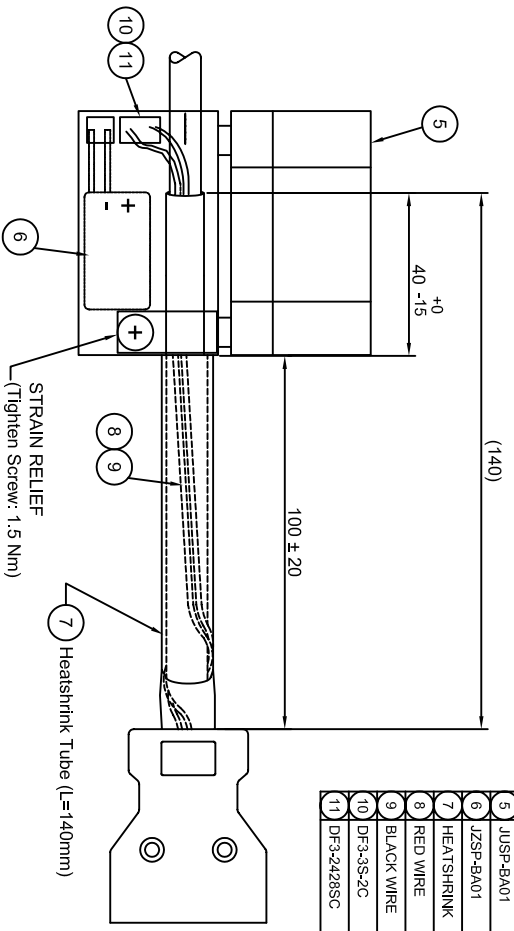
SIGMA II Motor ABS
 ENC Cable Adapter for FSP

UWR00650

ITEM # *SEE CHART

CHANGED TITLE AND MODEL (REDRAWN)	D.GREULUOCH	5/22/06	N0605-008
INITIAL RELEASE			EAR 2006-016

No.	ITEM#	DESCRIPTION	QTY.	NOTES
1	10120-3000VE	CONNECTOR	1	3M
2	10320-52A0-008	HOOD	1	3M
3	JZSP-CMP-9-2	CONNECTOR, MFG# 54280-0800	1	MOLEX
4	TJ20276-SB	CABLE, 22AWG x2C, 24AWG x2P, SHIELDED	-	TAIYO
5	JUSP-BA01	BATTERY CASE	1	YEC
6	JZSP-BA01	BATTERY, (MFC# ER3V/3.6V)	1	YEC (TOSHIBA)
7	HEATSHRINK	BLACK POLYOLEFIN HEATSHRINK	-	
8	RED WIRE	24AWG UL1007 RED	-	
9	BLACK WIRE	24AWG UL1007 BLACK	-	
10	DF-3-3S-2C	CONNECTOR	1	HIROSE ELECTRIC
11	DF-3-2428SC	CONTACT (GRIMP)	2	HIROSE ELECTRIC



DESIGN#	-	MATERIAL	SEE PART LIST ABOVE
DRWN	D.GREULOCH	4/06/06	SPEC: SEE PART LIST ABOVE
CHKD	N.HOUCK	5/1/06	FINISH: N/A
TECH	-	-	TOLERANCES/REFERENCES: US000002
APRV	C.KINTNER	5/2/06	
THIS DOCUMENT AND INFORMATION CONTAINED HEREIN IS CONFIDENTIAL AND CANNOT BE COPIED OR DISCLOSED IN WHOLE OR IN PART WITHOUT THE EXPRESS WRITTEN CONSENT OF YASKAWA ELECTRIC AMERICA INC.			
MODEL(S)	ALL SIGMA II MOTORS	REF DWG:	JZSP-CMP00-XX(A)
DWG:	UWR00650	DIMENSIONS:	mm SCALE: NTS
ITEM #:	*SEE CHART	SIZE:	B SHEET: 2/2

YASKAWA
The Drive for Quality™
SIGMA II Motor ABS
 ENC Cable Adapter for FSP

CHANGED TITLE AND MODEL (REDRAWN)	D.GREULOCH	5/2/06	N0605-008
INITIAL RELEASE			EAR 2006-016