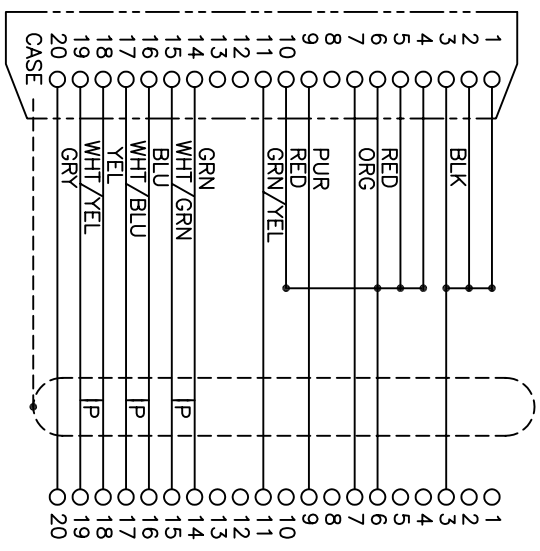


No.	ITEM#	DESCRIPTION	QTY.	NOTES
1	10320-52A0-008	CONNECTOR CASE	1	3M
2	10120-3000VE	CONNECTOR PLUG	1	3M
3	T120276	CABLE, 3C x 22AWG + 6P x 26AWG	-	TAIYO
4		PLASTIC BAG W/ EYELET, 4x6, 4MIL	1	



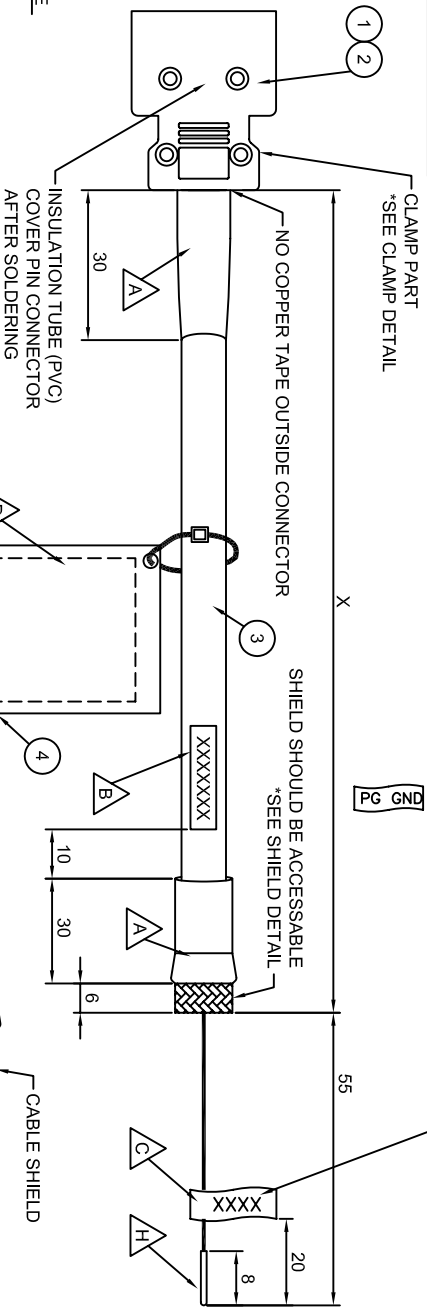
CABLE CLAMP DETAIL

(6) LENGTH OF RETURNING SHIELD
 (8) DON'T ALLOW SHIELD TO STICK OUT OF TAPE

COPPER FILM TAPE
 WRAP 2 TURNS(L=50mm)
 RETURN SHIELD ON CABLE SIDE
 WRAP COPPER FILM TAPE AROUND IT

CABLE SPECIFICATION (mm)	
OUTER DIAMETER	8.0
BENDING RADIUS	-
STANDARD	UL
ULIP CLASSIFICATION	
CONNECTOR SPEC.	UL94V-0

AMPLIFIER SIDE



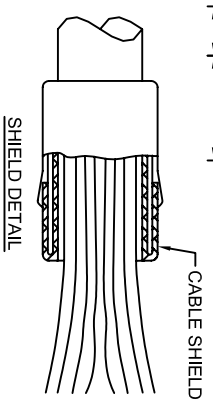
*SEE TABLE ON PG 2 FOR LABEL SIGNAL NAME
 *DIRECTION OF FLAG IS AS SHOWN BELOW.

NOTES:

- A ADD APPROPRIATE HEAT SHRINK TUBE, AND GROMMET IF NEEDED.
- B YASKAWA INFORMATION LABEL:
- C MARKER FLAG
- D INSERT SHEET 212 OF THIS DRAWING INTO A PLASTIC BAG & ATTACH TO CABLE WITH THE WRAP.
- E BLACK WIRE COMES INTO PIN 3; PIN 3 IS THEN JUMPERED TO PIN 2; PIN 2 IS THEN JUMPERED TO PIN 1
- F RED WIRE COMES INTO PIN 6; PIN 6 IS THEN JUMPERED TO PIN 5; PIN 5 IS THEN JUMPERED TO PIN 4; PIN 4 IS THEN JUMPERED TO PIN 10
- G UNUSED WIRES IN THE RAW CABLE SHOULD BE CUT FLUSH WITH END OF CABLE INSULATION
- H TINNED WIRE, 8mm FROM END
- I USING AUTOMATED OR MANUAL CABLE TESTER, VERIFY ALL CONNECTIONS AND VERIFY THAT EACH WIRE OR TERMINATION IS NOT SHORTED TO ANY OTHER WIRE OR TERMINATION UNLESS INTENDED TO BE ELECTRICALLY CONNECTED. ALL WIRES OR TERMINATIONS SHALL BE ISOLATED FROM ALL OTHER WIRES OR TERMINATIONS BY A MINIMUM OF 10 MEGOHM AT 500VDC. RECORDS OF TEST MUST BE MAINTAINED AND PROVIDED UPON REQUEST.
- J CONDUCT HI-POT TEST AT 800 VAC FOR 1 SECOND.
 (NOTE: LEAK CURRENT = 20 mA)

YASKAWA ("RV")
 "MM/YY"
 "VENDOR CODE"

ITEM NUMBER	X = LENGTH
AFOEM-03(A)	300
AFOEM-05(A)	500
AFOEM-10(A)	1000
AFOEM-15(A)	1500
AFOEM-20(A)	2000



SHIELD DETAIL

DESIGN:	-	MATERIAL:	SEE PART LIST ABOVE
DRWN:	D.GREULOCH	SPEC:	SEE PART LIST ABOVE
CHKD:	N.HOUCK	FINISH:	N/A
TECH:	-	TOLERANCES/REFERENCES:	USC000002
APPRV:	M. MORAN	DATE:	7/5/06

YASKAWA
 The Drive for Quality™

Special Purpose Motor
 Incremental Encoder Cable

UWR00657

*SEE CHART

REVISION	DESCRIPTION	DATE	BY
1	CORRECTED COLOR CODES (REDRAWN)	10/27/06	D.GREULOCH
2	CHANGED RAW CABLE, ADDED SHELL	8/15/06	D.GREULOCH
3	INITIAL RELEASE		EAR 2006-030

THIS DOCUMENT AND INFORMATION CONTAINED HEREIN IS CONFIDENTIAL AND CANNOT BE REPRODUCED OR DISCLOSED IN WHOLE OR IN PART WITHOUT THE EXPRESS WRITTEN CONSENT OF YASKAWA ELECTRIC AMERICA INC.	REF DWG: -	SCALE: NTS
	DIMENSIONS: mm	SHEET: 1/2



Table Description:

Applicable Models: Special Purpose Motors

Pin: Signifies the pin number on the connector.

Color: Color code of wire.

Signal Name: Amplifier function corresponding to pin number.

PIN #	SIGNAL NAME	COLOR
1	PG GND	BLK
2		
3		
4	PG +5V	RED
5		
6		
7	/UIN	ORG
8		
9	/VIN	PUR
10	PG +5V	RED
11	GND	GRN/YEL
12		
13		
14	PC	GRN
15	/PC	WHT/GRN
16	PA	BLU
17	/PA	WHT/BLU
18	PB	YEL
19	/PB	WHT/YEL
20	/WIN	GRY
SHELL	SHIELD	

2	CORRECTED COLOR CODES (REDRAWN)	10/27/06	D.GREULOCK	N-0610-011
1	CHANGED RAW CABLE, ADDED SHELL	8/15/06	D.GREULOCK	N-0608-008
0	INITIAL RELEASE			EAR 2006-030

DESIGN:	-	TOLERANCES/REFERENCE(S):	THIS DOCUMENT AND INFORMATION CONTAINED IN IT ARE CONFIDENTIAL, AND CANNOT BE COPIED OR DISCLOSED IN WHOLE OR IN PART WITHOUT THE EXPRESS WRITTEN CONSENT OF YASKAWA ELECTRIC AMERICA INC.									
DRWN:	D.GREULOCK	6/5/06	UES000002					TITLE:	Special Purpose Motor Incremental Encoder Cable			
CHKD:	N.HOUCK	6/20/06	MATERIAL:	N/A	MODELS:	Special Purpose Motors		DWG#:	UWR00657			
TECH:	-	-	SPEC:	N/A	REF DWG:	N/A		ITEM#:	*SEE CHART Pg1			
APPRV:	M. MORAN	7/5/06	FINISH:	N/A	DIMS:	mm	SIZE:	A	SCALE:	NTS	SHEET:	2/2