

SEVERE DUTY SHOWN

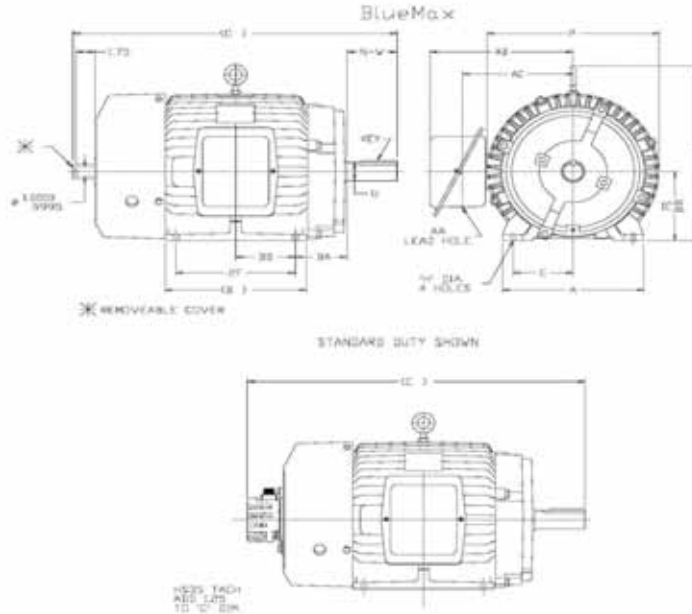
FRAME	ENCL.	A (MAX)	B (MAX)	C (MAX)	D	E	ZF	H	O (MAX)	P (MAX)	U	AA (NPT)	AB (MAX)	AC (MAX)	BA	BS	N-W	KEY
143T	TENV	7.12	5.00	10.43	3.50	2.25	4.00	.34	7.45	7.98	.875	3/4	7.04	5.38	2.25	2.81	2.25	.19x.19x1.38
143T	TEFC	7.12	5.00	11.92	3.50	2.25	4.00	.34	7.45	7.98	.875	3/4	6.91	5.38	2.25	2.81	2.25	.19x.19x1.38
145T	TENV	7.12	6.00	11.43	3.50	2.25	5.00	.34	7.45	7.98	.875	3/4	7.04	5.38	2.25	3.81	2.25	.19x.19x1.38
145T	TEFC	7.12	6.00	12.92	3.50	2.25	5.00	.34	7.45	7.98	.875	3/4	6.91	2.38	2.25	3.81	2.25	.19x.19x1.38
182T	TENV	8.88	5.50	12.71	4.50	3.75	4.50	.41	9.38	9.76	1.125	3/4	8.08	6.47	2.75	2.25	2.75	.25x.25x1.75
182T	TEFC	8.88	5.50	15.19	4.50	3.75	4.50	.41	9.38	9.76	1.125	3/4	8.01	6.47	2.75	2.25	2.75	.25x.25x1.75
184T	TENV	8.88	6.50	13.71	4.50	3.75	5.50	.41	9.38	9.76	1.125	3/4	8.08	6.47	2.75	2.75	2.75	.25x.25x1.75
184T	TEFC	8.88	6.50	16.19	4.50	3.75	5.50	.41	9.38	9.76	1.125	3/4	8.01	6.47	2.75	2.75	2.75	.25x.25x1.75
213T	TENV	10.38	7.00	15.69	5.25	4.25	5.50	.44	11.00	11.50	1.375	3/4	9.31	7.69	3.50	2.75	3.38	.31x.31x2.38
213T	TEFC	10.38	7.00	18.22	5.25	4.25	5.50	.44	11.00	11.50	1.375	3/4	9.31	7.69	3.50	2.75	3.38	.31x.31x2.38
215T	TENV	10.38	8.50	17.19	5.25	4.25	7.00	.44	11.00	11.50	1.375	3/4	9.31	7.69	3.50	3.50	3.38	.31x.31x2.38
215T	TEFC	10.38	8.50	19.72	5.25	4.25	7.00	.44	11.00	11.50	1.375	3/4	9.31	7.69	3.50	3.50	3.38	.31x.31x2.38
254T	TEFC	12.12	10.25	23.52	6.25	5.00	8.25	.53	14.09	14.27	1.625	1/4	12.00	9.50	4.25	4.12	4.00	.38x.38x2.88
256T	TEFC	12.12	12.00	25.27	6.25	5.00	10.00	.53	14.09	14.27	1.625	1/4	12.00	9.50	4.25	5.00	4.00	.38x.38x2.88
284T	TEFC	13.00	11.50	27.88	7.00	5.50	9.50	.53	14.94	15.88	1.875	1/2	12.50	10.00	4.75	4.75	4.62	.50x.50x3.25
286T	TEFC	13.00	13.00	27.88	7.00	5.50	11.00	.53	14.94	15.88	1.875	1/2	12.50	10.00	4.75	4.75	4.62	.50x.50x3.25
324T	TEFC	15.75	13.00	28.88	8.00	6.25	10.50	.66	15.93	15.88	2.125	2	14.44	11.31	5.25	5.25	5.25	.50x.50x3.88
326T	TEFC	15.75	14.50	30.38	8.00	6.25	12.00	.66	15.93	15.88	2.125	2	14.44	11.31	5.25	6.00	5.25	.50x.50x3.88
364T	TEFC	17.75	13.25	31.50	9.00	7.00	11.25	.66	19.00	20.00	2.375	3	17.88	13.88	5.88	5.62	5.88	.62x.62x4.25
365T	TEFC	17.75	14.25	32.50	9.00	7.00	12.25	.66	19.00	20.00	2.375	3	17.88	13.88	5.88	6.12	5.88	.62x.62x4.25
404T	TEFC	19.25	14.75	35.62	10.00	8.00	12.25	.81	20.88	21.75	2.875	3	18.75	14.75	6.62	6.12	7.25	.75x.75x5.62
405T	TEFC	19.25	16.25	37.12	10.00	8.00	13.75	.81	20.88	21.75	2.875	3	19.75	16.25	6.62	6.88	7.25	.75x.75x5.62
444T	TEFC	21.50	17.75	41.19	11.00	9.00	14.50	.81	24.19	26.31	3.375	3	20.94	17.38	7.50	7.25	8.50	.88x.88x6.88
445T	TEFC	21.50	19.75	43.19	11.00	9.00	16.50	.81	24.19	26.31	3.375	3	20.94	17.38	7.50	8.25	8.50	.88x.88x6.88
447T	TEFC	21.50	28.25	51.69	11.00	9.00	20.00	.81	24.22	26.31	3.375	4	25.90	19.31	7.50	1.78	8.50	.88x.88x6.88
449T	TEFC	21.50	28.25	51.69	11.00	9.00	25.00	.81	24.22	26.31	3.375	4	25.90	19.31	7.50	1.78	8.50	.88x.88x6.88

**APPROVAL for CONSTRUCTION**

Type \_\_\_\_\_ Frame \_\_\_\_\_ Part No. \_\_\_\_\_ Spec. \_\_\_\_\_  
 HP \_\_\_\_\_ RPM \_\_\_\_\_ Volts \_\_\_\_\_ Phase \_\_\_\_\_  
 Certified for: \_\_\_\_\_  
 Customer Order No. \_\_\_\_\_  
 Yaskawa Order No. \_\_\_\_\_ By \_\_\_\_\_ Date \_\_\_\_\_



**Dimensions**  
**BlueMAX® TEFC**  
**w/ Encoder Provisions**

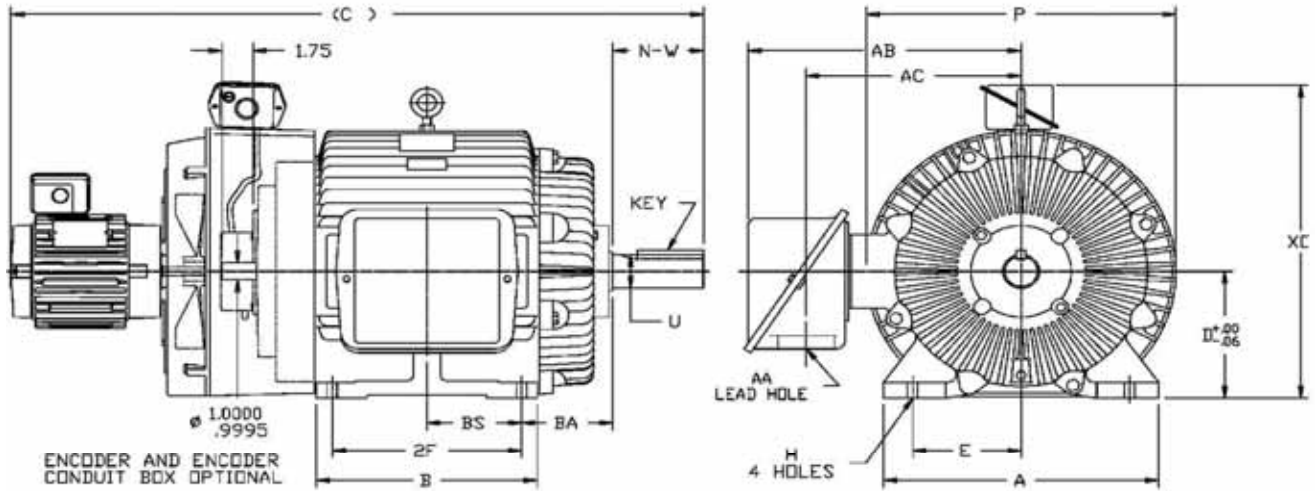
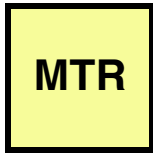


FRAME	D	E	EF	H	Π	P	U	AA	AB	AC	BA	BS	N-M	KEY
					0000	0000			0000	0000				
1841	4.51	3.75	3.50	41	12.07	5.75	1.17	1.25	8.08	5.47	3.56	2.75	2.75	.25x.25x1.75
2131	5.25	4.25	3.50	44	13.07	11.50	1.38	1.25	9.45	7.81	4.25	2.75	3.38	.31x.31x2.38
2137	5.25	4.25	7.00	44	13.07	11.50	1.38	1.25	9.45	7.81	4.25	3.38	3.38	.31x.31x2.38
2547	6.25	5.00	6.25	53	14.27	14.27	1.67	1.25	11.13	9.37	4.75	4.12	4.00	.38x.38x2.88
2567	6.25	5.00	10.00	53	14.27	14.27	1.67	1.25	11.13	9.37	4.75	3.88	4.00	.38x.38x2.88
2847	7.25	5.50	9.50	53	16.27	15.88	1.88	1.50	12.18	9.21	4.75	4.75	4.62	.50x.50x3.25
2847S	7.25	5.50	9.50	53	16.27	15.88	1.82	1.50	12.18	9.21	4.75	4.75	3.25	.38x.38x1.88
2867	7.25	5.50	11.25	53	16.27	15.88	1.88	1.50	12.18	9.21	4.75	5.50	4.62	.50x.50x3.75
2867S	7.25	5.50	11.25	53	16.27	15.88	1.82	1.50	12.18	9.21	4.75	5.50	3.25	.38x.38x1.88
3247	8.00	6.25	10.50	66	20.27	19.25	2.17	2.00	14.81	13.69	5.25	5.25	5.25	.50x.50x3.88
3247S	8.00	6.25	10.50	66	20.27	19.25	1.98	2.00	14.81	13.69	5.25	5.25	3.75	.50x.50x2.00
3267	8.00	6.25	12.50	66	20.27	19.25	2.17	2.00	14.81	13.69	5.25	6.50	5.25	.50x.50x3.88
3267S	8.00	6.25	12.50	66	20.27	19.25	1.88	2.00	14.81	13.69	5.25	6.50	3.75	.50x.50x2.00
3647	9.00	7.00	11.25	66	22.57	20.25	2.38	3.62	17.85	14.56	5.88	5.88	5.88	.62x.62x4.25
3647S	9.00	7.00	11.25	66	22.57	20.25	1.88	3.62	17.85	14.56	5.88	5.88	3.75	.50x.50x2.00
3667	9.00	7.00	12.25	66	22.57	20.25	2.38	3.62	17.85	14.56	5.88	6.12	5.88	.62x.62x4.25
3667S	9.00	7.00	12.25	66	22.57	20.25	1.88	3.62	17.85	14.56	5.88	6.12	3.75	.50x.50x2.00
4041	10.00	8.00	12.25	81	23.07	21.75	2.88	3.62	18.75	14.75	6.62	6.12	7.25	.75x.75x5.62
4041S	10.00	8.00	12.25	81	23.07	21.75	2.62	3.62	18.75	14.75	6.62	6.12	4.25	.50x.50x2.75
4057	10.00	8.00	13.75	81	23.07	21.75	2.88	3.62	18.75	16.25	6.62	6.88	7.25	.75x.75x6.62
4057S	10.00	8.00	13.75	81	23.07	21.75	2.62	3.62	18.75	16.25	6.62	6.88	4.75	.50x.50x2.75
4447	11.00	9.00	14.50	81	25.38	25.31	3.38	3.62	20.94	17.38	7.50	7.25	8.58	.88x.88x6.88
4447S	11.00	9.00	14.50	81	25.38	25.31	2.38	3.62	20.94	17.38	7.50	7.25	4.75	.62x.62x3.62
4457	11.00	9.00	16.50	81	25.38	25.31	3.38	3.62	20.94	17.38	7.50	8.25	8.58	.88x.88x6.88
4457S	11.00	9.00	16.50	81	25.38	25.31	2.38	3.62	20.94	17.38	7.50	8.25	4.75	.62x.62x3.62
4497	11.00	9.00	23.25	81	24.27	25.31	3.38	4.62	25.95	19.21	7.50	1.78	8.58	.88x.88x6.88
4497S	11.00	9.00	23.25	81	24.27	25.31	2.38	4.62	25.95	19.21	7.50	1.78	4.75	.62x.62x3.62

BLUMTEFC.GEN

**APPROVAL for CONSTRUCTION**

Type \_\_\_\_\_ Frame \_\_\_\_\_ Part No. \_\_\_\_\_ Spec. \_\_\_\_\_  
 HP \_\_\_\_\_ RPM \_\_\_\_\_ Volts \_\_\_\_\_ Phase \_\_\_\_\_  
 Certified for: \_\_\_\_\_  
 Customer Order No. \_\_\_\_\_  
 Yaskawa Order No. \_\_\_\_\_ By \_\_\_\_\_ Date \_\_\_\_\_



STANDARD DUTY SHOWN

FRAME	D	E	2F	H	XD ØMAX	P ØMAX	U	AA	AB ØMAX	AC ØMAX	BA	BS	N-W	KEY
213T	5.25	4.25	5.50	.44	13.35	11.50	1.38	1.09	9.45	7.69	3.50	2.75	3.38	.31x.31x2.38
215T	5.25	4.25	7.00	.44	13.35	11.50	1.38	1.09	9.45	7.69	3.50	3.50	3.38	.31x.31x2.38
254T	6.25	5.00	8.25	.53	16.31	14.27	1.62	1.25	11.13	9.32	4.25	4.12	4.00	.38x.38x2.88
256T	6.25	5.00	10.00	.53	16.31	14.27	1.62	1.25	11.13	9.32	4.25	5.00	4.00	.38x.38x2.88
284T	7.00	5.50	9.50	.53	17.88	15.88	1.88	1.50	13.18	9.31	4.75	4.75	4.62	.50x.50x3.25
284TS	7.00	5.50	9.50	.53	17.88	15.88	1.62	1.50	13.18	9.31	4.75	4.75	3.25	.38x.38x1.88
286T	7.00	5.50	11.00	.53	17.88	15.88	1.88	1.50	13.18	9.31	4.75	5.58	4.62	.50x.50x3.25
286TS	7.00	5.50	11.00	.53	17.88	15.88	1.62	1.50	13.18	9.31	4.75	5.58	3.25	.38x.38x1.88
324T	8.00	6.25	10.50	.66	20.25	18.25	2.12	2.00	14.81	10.69	5.25	5.25	5.25	.50x.50x3.88
324TS	8.00	6.25	10.50	.66	20.25	18.25	1.88	2.00	14.81	10.69	5.25	5.25	3.75	.50x.50x2.00
326T	8.00	6.25	12.00	.66	20.25	18.25	2.12	2.00	14.81	10.69	5.25	6.00	5.25	.50x.50x3.88
326TS	8.00	6.25	12.00	.66	20.25	18.25	1.88	2.00	14.81	10.69	5.25	6.00	3.75	.50x.50x2.00
364T	9.00	7.00	11.25	.66	22.62	20.00	2.38	3.62	17.85	14.56	5.88	5.62	5.88	.62x.62x4.25
364TS	9.00	7.00	11.25	.66	22.62	20.00	1.88	3.62	17.85	14.56	5.88	5.62	3.75	.50x.50x2.00
365T	9.00	7.00	12.25	.66	22.62	20.00	2.38	3.62	17.85	14.56	5.88	6.12	5.88	.62x.62x4.25
365TS	9.00	7.00	12.25	.66	22.62	20.00	1.88	3.62	17.85	14.56	5.88	6.12	3.75	.50x.50x2.00
404T	10.00	8.00	12.25	.81	24.06	21.75	2.88	3.62	18.75	14.75	6.62	6.12	7.25	.75x.75x5.62
404TS	10.00	8.00	12.25	.81	24.06	21.75	2.12	3.62	18.75	14.75	6.62	6.12	4.25	.50x.50x2.75
405T	10.00	8.00	13.75	.81	24.06	21.75	2.88	3.62	18.75	16.25	6.62	6.88	7.25	.75x.75x5.62
405TS	10.00	8.00	13.75	.81	24.06	21.75	2.12	3.62	18.75	16.25	6.62	6.88	4.25	.50x.50x2.75
444T	11.00	9.00	14.50	.81	26.95	26.31	3.38	3.62	20.94	17.38	7.50	7.25	8.50	.88x.88x6.88
444TS	11.00	9.00	14.50	.81	26.95	26.31	2.38	3.62	20.94	17.38	7.50	7.25	4.75	.62x.62x3.00
445T	11.00	9.00	16.50	.81	26.95	26.31	3.38	3.62	20.94	17.38	7.50	8.25	8.50	.88x.88x6.88
445TS	11.00	9.00	16.50	.81	26.95	26.31	2.38	3.62	20.94	17.38	7.50	8.25	4.75	.62x.62x3.00
449T	11.00	9.00	25.00	.81	27.83	26.31	3.38	4.62	25.90	19.31	7.50	1.78	8.50	.88x.88x6.88
449TS	11.00	9.00	25.00	.81	27.83	26.31	2.38	4.62	25.90	19.31	7.50	1.78	4.75	.62x.62x3.00

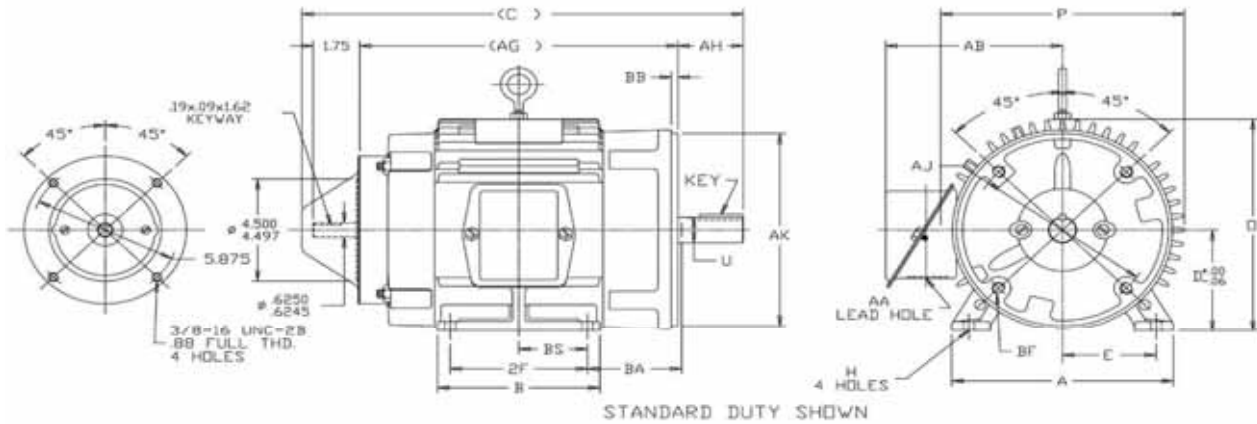
BLUMTEBC.GEN

**APPROVAL for CONSTRUCTION**

Type \_\_\_\_\_ Frame \_\_\_\_\_ Part No. \_\_\_\_\_ Spec. \_\_\_\_\_  
 HP \_\_\_\_\_ RPM \_\_\_\_\_ Volts \_\_\_\_\_ Phase \_\_\_\_\_  
 Certified for: \_\_\_\_\_  
 Customer Order No. \_\_\_\_\_  
 Yaskawa Order No. \_\_\_\_\_ By \_\_\_\_\_ Date \_\_\_\_\_



**Dimensions**  
BlueMAX® TENV



STANDARD DUTY SHOWN

FRAME	A MAX.	B MAX.	C MAX.	D	E	2F	H	Ø MAX.	P MAX.	U	AA	AB MAX.	AG MAX.	AH	AJ	AK	BA	BB	BF	BS	KEY
143TC	7.12	5.00	13.68	3.50	2.75	4.00	.38	7.45	11.03	.8750	1.09	7.04	9.25	2.12	5.875	4.500	2.62	.13	3/8-16	2.81	.19x.19x1.38
145TC	7.12	6.00	14.68	3.50	2.75	5.00	.38	7.45	11.03	.8750	1.09	7.04	10.25	2.12	5.875	4.500	2.62	.13	3/8-16	3.81	.19x.19x1.38
182TC	8.88	5.50	16.12	4.50	3.75	4.50	.41	11.62	12.96	1.1250	1.09	8.01	11.75	2.62	7.250	8.500	3.50	.27	1/2-13	2.25	.25x.25x1.75
184TC	8.88	6.50	17.12	4.50	3.75	5.50	.41	11.62	12.96	1.1250	1.09	8.01	12.75	2.62	7.250	8.500	3.50	.27	1/2-13	2.75	.25x.25x1.75
213TC	10.38	8.50	20.56	5.25	4.25	5.50	.44	13.32	15.01	1.3750	1.09	9.31	15.12	3.12	7.250	8.500	4.25	.27	1/2-13	3.50	.31x.31x2.38
215TC	10.38	11.50	22.74	5.25	4.25	7.00	.44	13.31	15.19	1.3750	1.09	9.04	17.31	3.12	7.250	8.500	4.25	.27	1/2-13	6.18	.31x.31x2.38
254TC	12.12	12.00	25.12	6.25	5.00	8.25	.53	15.66	15.98	1.625	1.25	9.83	19.96	3.75	7.250	8.500	4.75	.27	1/2-13	6.31	.38x.38x2.88
256TC	12.18	12.00	25.12	6.25	5.00	10.00	.53	14.07	15.98	1.625	1.25	11.08	19.96	3.75	7.250	8.500	4.75	.27	1/2-13	5.00	.38x.38x2.88

BLUMTENV.GEN

**APPROVAL for CONSTRUCTION**

Type \_\_\_\_\_ Frame \_\_\_\_\_ Part No. \_\_\_\_\_ Spec. \_\_\_\_\_  
 HP \_\_\_\_\_ RPM \_\_\_\_\_ Volts \_\_\_\_\_ Phase \_\_\_\_\_  
 Certified for: \_\_\_\_\_  
 Customer Order No. \_\_\_\_\_  
 Yaskawa Order No. \_\_\_\_\_ By \_\_\_\_\_ Date \_\_\_\_\_